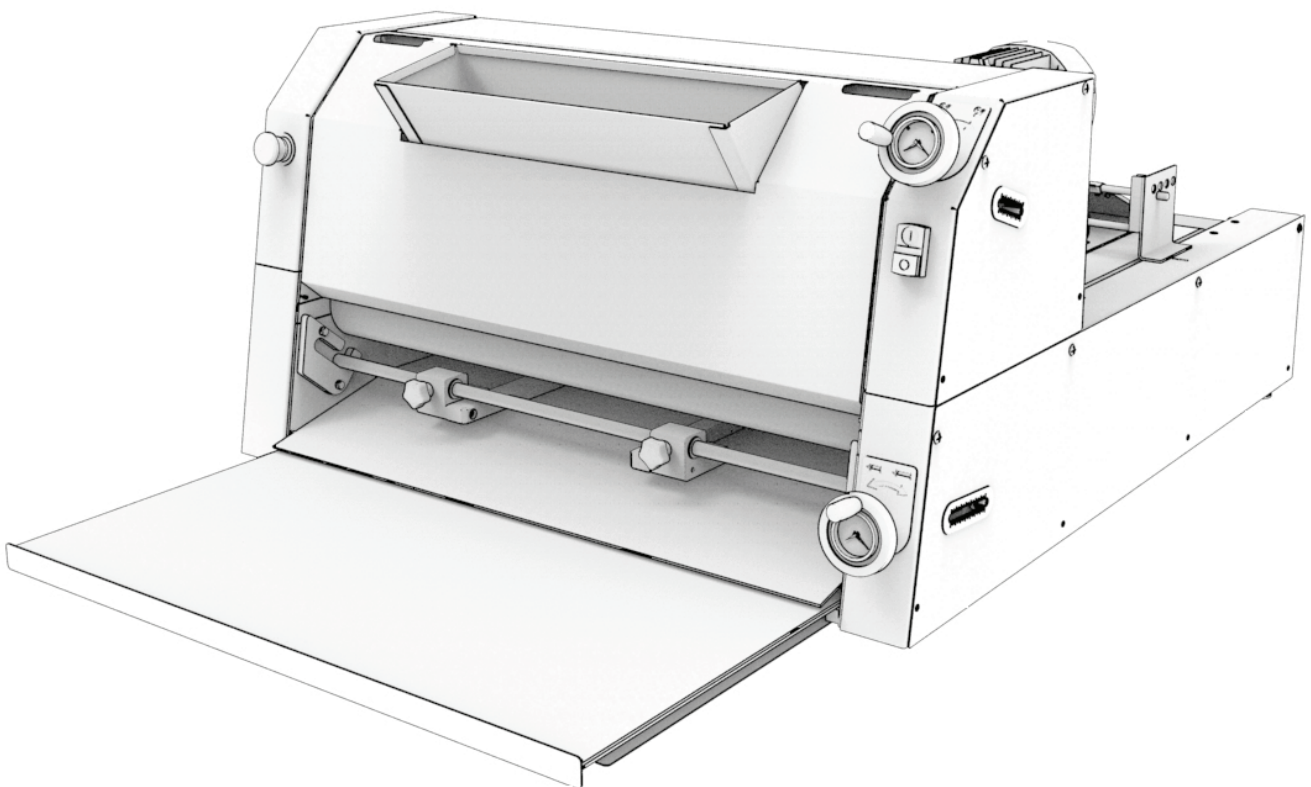




Traditionally Innovative

HF



EN – FR – DE – NL – RU – ES – IT – AR

V01-01-2017



EN- Translation of original user instructions	
HF moulders.....	5
FR- Notice d'utilisation originale	
Façonneuses HF.....	15
DE- Übersetzung der Originalanleitung	
Langwirksammaschinen HF.....	25
NL- Vertaling van de originele gebruikershandleiding	
Vormgevers HF.....	35
RU. Перевод оригинального руководства по эксплуатации	
Тестоформовочные машины HF.....	45
ES- Traducción del manual de uso original	
Moldeadoras HF.....	57
IT- Traduzione delle informazioni sull'utilizzo originali	
Formatrici HF.....	69
الأصل الاستخدام دليل ترجمة - فرنسي	
HFالات تشكيل العجين.....	81

1	BEFORE COMMISSIONING	6
2	WARRANTY	6
3	WARNINGS	7
4	TECHNICAL SPECIFICATIONS	8
4.1	Technical specifications	8
4.2	Details of materials in direct contact with dough	8
5	INSTALLATION AND COMMISSIONING	8
5.1	Unpacking the machine:	8
5.2	Positioning:	9
5.3	Electrical connection:	9
5.4	Commissioning:	9
5.5	Danger:	10
6	CONTROLS AND SAFETY FEATURES	10
6.1	Controls:	10
6.2	Work area:	10
6.3	Safety features:	10
7	OPERATION	11
8	MAINTENANCE	12
8.1	Daily, by a trained operator.	12
8.2	Weekly, by a trained operator	12
8.3	Six-monthly, by an approved agent.	12
9	CONSUMABLES	13
9.1	List of CONSUMABLES	13
10	MALFUNCTIONS	13
11	LIST OF COMPONENTS IN ILLUSTRATIONS	14

1 BEFORE COMMISSIONING

Thank you for choosing a JAC system. It is essential that you read these instructions before installing and commissioning this machine. This will protect you and avoid damaging your machine.

These instructions refer to various illustrations in order to make them easier to understand. These illustrations are at the end of the instructions. Please refer to them whenever you see the following symbols: (fig.X, n°Y).

To ensure that your machine gives you full satisfaction over the coming years, we invite you to familiarise yourself with the following advice:

- Enlist the help of your approved agent for installation, commissioning and service support.
- In order to be covered by the 5-year warranty (see terms and conditions set out below), please have your dealer fill in the service booklet when your machine is being installed. The service booklet is at the back of your machine.

2 WARRANTY



All JAC products are covered by a 5-year warranty.

This warranty is valid for all parts on your machine, including electronic components but excluding consumables. The warranty takes effect on the date the equipment is installed.

Subject to the following restrictive conditions:

- Equipment acquired from an approved dealer;
- Installation carried out by an approved agent;
- Equipment used in accordance with the instructions for use and for the intended purpose for which it was manufactured;
- Equipment serviced on a daily basis in compliance with the instructions for use;
- Regular servicing by the approved agent in compliance with service specifications, with at least one service a year (servicing chargeable to the user).
- Exclusive use of genuine JAC parts.



If there is no record of servicing by an approved agent and/or if the service booklet has not been filled in correctly, warranty cover will be limited to one year.

This warranty does not cover:

- Replacement of consumables (§9);
- Parts not accepted as defective by our company;
- Problems due to improper use of the equipment;
- Problems due to installation not carried out by an approved agent;
- Parts or problems due to transit damage or improper handling.

Repairing and/or replacing defective parts during the warranty period does not bring about an extension of said warranty.

3 WARNINGS

It is most important that these user instructions be kept with the machine for any future reference. Should this machine be sold or transferred to another user, please ensure that the user instructions are handed over so that the new user can be familiarised with its operation and the warnings associated with it.



These warnings are given for your safety and that of others. We would therefore ask you to read them carefully before installing and using the machine.

This machine has been designed for use by authorised adults. Please therefore ensure that children do not touch it or use it as a toy.

This machine is intended exclusively for professional use.

It is dangerous to modify or attempt to modify the specifications of this machine.

After having installed this machine, please ensure that it is not standing on the power cable.

Follow the instructions given for its use.

This machine must be stored and used in an indoor room, protected from moisture and heat.

This machine must be adequately illuminated to operate it.

The noise level of this machine does not exceed 75 dB(A) in accordance with EN ISO 3744.

This machine must be used by one person at a time (unless otherwise specified).



Always disconnect the mains supply before cleaning the machine inside/outside and when carrying out maintenance.

This machine is heavy. Take all necessary safety precautions when handling it.

4 TECHNICAL SPECIFICATIONS

4.1 Technical specifications

	HF
Min/max weight of dough pieces in grams	50/1300
Maximum production rate in pieces per hour	1800
Motor power rating (kW)	0.37
Motor type	Three-phase
Height x Width x Depth	540 x 956 x 1145
Net weight (kg)	180

Pointed end belt	optional
Infeed guides	optional
TRF20 outfeed belt	optional
TRF30 outfeed belt	optional
Standard wheeled base	optional
Wheeled base with storage	optional
Pre-elongation module	optional
Self-contained flour dispenser	optional
Feed belt	optional

4.2 Details of materials in direct contact with dough.

Chute: STAINLESS STEEL 304L.

Roller: Food-grade white PETP

Scraper blade: Lucoflex

Rolling belt: Stainless steel mesh

Elongation belt: Wool/Synthetic

Fixed elongation belt: Wool

Feed belt: ARCOT synthetic cloth.

5 INSTALLATION AND COMMISSIONING

5.1 Unpacking the machine:

Machines are delivered from our works on pallets, strapped and protected with cardboard. First of all, the packaging must be examined and any damage caused in transit must be declared directly to the carrier.

- A. Remove the cardboard from the machine.
- B. Remove straps, taking particular care when they are released by cutting.
- C. Detach the machine from the pallet.
- D. Assemble the machine with its feet (for table-top arrangement only) (fig.15, n°24).

E. For installation on a base, remove the lower right and left-hand doors in order to gain access to the feet, remove them and replace them with the screws provided with the base (fig.16).

After unpacking your machine, check that it has not been damaged in transit. Notify us of any defects.

5.2 Positioning:

In order to achieve excellent performance and long-term reliability, choose a location that is:

Well ventilated, shielded from direct sunlight and away from sources of heat, with a flat and sturdy surface free from vibration.

5.3 Electrical connection:

IMPORTANT: This machine must be earthed.

It is recommended that the system be protected with a fuse and an RCD.

Your mains electricity supply to the machine must be protected as indicated below:

- North America: 15 A protection;
- Rest of the world: 16 A protection.

For machines equipped with a variable speed drive, it is imperative that they be connected to a junction box on a circuit fitted with a 300 mA RCD.

Note: Any problem resulting from any other type of connection will not be covered under warranty.

Before connecting your machine to the mains supply and in order to prevent the motor from burning out when it is switched on, it is important to check that the mains supply matches the machine specification (see machine nameplate).

This machine complies with Machinery Directives 2006/42, 2006/95, 2004/108 and is CE marked as proof of this.

Please familiarise yourself with the safety pictograms displayed on the machine:



This pictogram indicates an electrocution hazard. Please isolate the machine before carrying out any work on it. You will find it on the control panel, which acts as an electrical enclosure (fig.9, n°23).

You will find the circuit diagram for the machine inside the electrical enclosure (fig.9, n°23).

5.4 Commissioning:

Before commissioning, ensure that there are no extraneous objects interfering with the machine's moving parts.

Ensure first of all (after verifying electrical compatibility) that the motor is rotating in the right direction. Do this by pressing the start button and checking that the front box belt goes upwards. If this is not the case, disconnect immediately and switch two phase wires in the plug.

For machine operation, please refer to the “Operation” chapter.

5.5 Danger:

If the user or the machine is in danger, you must use the main isolator switch to cut the power supply to the machine.

Keep clear of the tray proofers when they are in motion.

Remove the plug from the power socket before any maintenance and/or servicing work.

Any maintenance work or replacement of parts must be carried out by an approved agent.

6 CONTROLS AND SAFETY FEATURES

6.1 Controls:

Your machine is equipped as standard with a mechanical control panel (fig.3).

6.2 Work area:

The work area is located in front of the machine outfeed belt (fig.2, n°6).

6.3 Safety features:

This machine is equipped with the following safety features:

- A lever switch (fig.7, n°17) which stops the machine from operating if the chute is pulled forwards.
- An encoded magnetic switch (fig.7, n°18) which prevents the machine from starting if the front housing is open.
- An emergency stop button (fig.3, n°7).
- On versions with a feed belt (optional), an encoded magnetic switch (fig.8, n°19) which stops the machine from operating if the protective cover is raised (fig.8, n°20).

7 OPERATION

Pre-settings:

The table below provides recommended settings. However, the nature of the dough and the moulding to be obtained must be taken into account. Trial and error is therefore often necessary and it is essential to take into account the relationships between each of the settings.

For instance, insufficient rolling or elongation which is too tight results in an unattractive dough piece.

Rolling is adjusted with the upper handwheel (fig.3, n°8) (rotate clockwise to bring the rollers closer together).

Elongation is adjusted with the lower handwheel (fig.3, n°12) (rotate clockwise to tighten the elongation plate).

	Rolling	Elongation
300 g baguette	19	11.5
300 g short	19	15
400 g long loaf	18	17
520 g loaf	18	14
800 g short loaf	16	15
1.8 kg long loaf	14	12
1.8 kg short loaf	16	8
50 g long roll	12	15.5

The resulting quality of moulding is dependent not only on the settings, but also on factors including:

- The aptitude of the dough to be moulded properly (sufficient but not excessive proofing, "strength" but not excessive, etc.).

- A well-presented dough piece with a regular shape.

NOTE:

In order for the dough to be moulded and elongated properly, it is essential to flour:

- The box belt.
- The elongation belt.

- Twist the mushroom (emergency stop) button $\frac{1}{4}$ turn to the right if it has not been released (fig.10).
- Press the START button to start the machine (fig.11).
- Insert the dough pieces into the secure infeed chute (fig.12).
- Collect the moulded dough pieces from the delivery belt (fig.13).
- Press the STOP button to stop the machine (fig.14).



For reasons of food hygiene, under no circumstances must dough or flour left on the top of the machine or outside it, be reused or reintroduced into the food chain.

8.1 Daily, by a trained operator.

On finishing work, clean the machine in order to prevent flour from accumulating, which could be detrimental to its operation.

Measure the rolling dimension and, if necessary, brush the belts (**do not use a metal dough cutter to do this**).

Open the elongation setting (fig.3, n°12) to its maximum extent in order to help the belts dry through air circulation.

If there is excessive moisture, dismantle the entire elongation belt.

8.2 Weekly, by a trained operator.

Remove and clean the roller scrapers as follows:

(This must be done with the power to the machine switched off).

A. Open the front cover and remove it by releasing the two catches (fig.4, n°14).

B. Separate the rollers to the maximum extent using the setting handwheel (fig.3, n°8).

C. Pull the fixed roller scraper forward (fig.5, n°15) (unhook the right-hand and left-hand springs if need be).

D. Clean the blade (check that there are no dough residues left).

E. Refit the scraper by locating each end in its mount and taking care to keep each spring in its stop groove.

F Pull the adjustable roller scraper forward (fig.6, n°16) (unhook the right-hand and left-hand springs if need be).

G. Clean the blade (check that there are no dough residues left).

H. Refit the scraper by locating each end in its mount and taking care to keep each spring in its stop groove.

8.3 Six-monthly, by an approved agent.

Ensure that there is no abnormal noise when the machine is in operation. At the same time check the belt for correct centring and tension.

Make the necessary adjustments as required.

The machine must be shut down.

Check chain condition and tension (lubricate if necessary).

Ensure the rolling and elongation setting handwheels are operating correctly.

Lubricate the screws if necessary.

Check the screw and its bearings for correct alignment.

Check that the belt is still in good condition (it is easy to determine simply by touch when its thickness becomes critical).

Check that the elongation belt is in good condition.

9 CONSUMABLES

When ordering spare parts, check with your approved agent which part is required based on the spare parts catalogue issued by the manufacturer.
Always quote the machine serial number shown on the nameplate.
Your agent will place the orders with JAC.

9.1 List of CONSUMABLES

ITEM CODE	NEW DESCRIPTION	MODEL
F4505003	WOOLTOP BOX BELT	ALL
F4505003L	WOOL BOX BELT	ALL
F5440095	ELONGATION BELT	ALL
F5408011	CHAIN MESH BELT	ALL
F5442003	SCRAPER BLADE	ALL
F5442007	RH SCRAPER SPRING	ALL
F5442008	LH SCRAPER SPRING	ALL
F54700001	FEED BELT	ALL
F5412009L	PRE-ELONGATION BELT	ALL

10 MALFUNCTIONS

Problem	Check
The machine will not start	Check the main power supply and the power supply to the motor. Check safety features (emergency stop button, chute safety cut-out, front cover safety cut-out). Check protective cover safety cut-out (feed belt option).
The motor is humming but will not start	Check that a phase is not missing in the electric circuit. Check the power supply to the motor.
Products emerging from elongation are torn and unattractive.	Check belt tension. Check scrapers for appearance and cleanliness. Check that there is no dough crust on the belts. Check felt for cleanliness (pointed ends option). Check elongation and rolling settings.

WARNING: The machine must be isolated from the power supply before attempting any work on it.



Should the problem persist, please contact your technician.

11 LIST OF COMPONENTS IN ILLUSTRATIONS

Figure	Item	Description
1	1	Secure infeed chute
	2	Delivery belt
	3	Delivery table
	4	Heavy-duty belt assembly
	5	Drive
2	6	Work area
3	7	Emergency stop button
	8	Rolling setting
	9	Rolling indicator
	10	Start button
	11	Stop button
	12	Elongation setting
4	13	Elongation indicator
	14	Front cover
5	15	Adjustable roller scraper
6	16	Fixed roller scraper
7	17	Lever switch
	18	Encoded magnetic switch
8	19	Encoded magnetic switch
	20	Protective cover (feed belt option).
	21	Flour dispenser (optional)
9	22	Pictogram indicating an electrocution hazard
	23	Circuit diagram
15	24	Adjustable feet (table-top only)

1	AVANT LA MISE EN SERVICE.....	16
2	GARANTIE.....	16
3	AVERTISSEMENTS	17
4	CARACTERISTIQUES TECHNIQUES.....	18
4.1	Caractéristiques techniques.....	18
4.2	Détail des matériaux en contact direct avec la pâte.....	18
5	INSTALLATION ET MISE EN SERVICE.....	18
5.1	Déconditionnement de la machine	18
5.2	Emplacement	19
5.3	Raccordement électrique.....	19
5.4	Mise en service	19
5.5	Danger	20
6	ORGANE DE COMMANDE ET DE SECURITE	20
6.1	Organe de commande	20
6.2	Zone de travail	20
6.3	Organes de sécurité	20
7	UTILISATION.....	21
8	ENTRETIEN	22
8.1	Journalier par un utilisateur formé	22
8.2	Hebdomadaire par un utilisateur formé.....	22
8.3	Semestriel par un agent agréé	22
9	CONSOMMABLES.....	23
9.1	Liste des CONSOMMABLES.....	23
10	INCIDENTS DE FONCTIONNEMENT	23
11	LISTE DES COMPOSANTS SUR LES FIGURES.....	24

1 AVANT LA MISE EN SERVICE

Merci d'avoir choisi une solution JAC. Veuillez impérativement lire ce mode d'emploi avant d'installer et de mettre en service cette machine. Vous pourrez ainsi vous protéger et éviter de détériorer votre machine.

Cette notice fait référence à différentes figures afin de faciliter la compréhension des instructions. Ces figures se trouvent en fin de notice. Veuillez vous y référer dès que vous rencontrez les symboles suivants (fig.x, n°y).

Pour que votre machine vous donne entière satisfaction au cours des prochaines années, nous vous invitons à prendre connaissance des conseils suivants :

- Faites-vous aider par votre agent agréé pour l'installation, la mise en service et le suivi.
- Afin de pouvoir bénéficier de la garantie de 5 ans (voir conditions reprises ci-après), faites compléter le carnet d'entretien par votre distributeur lors de l'installation de votre machine. Ce carnet d'entretien se trouve à l'arrière de votre machine.

2 GARANTIE



JAC offre une garantie de 5 ans sur tous ses produits.

Cette garantie est valable sur toutes les pièces de votre machine, pièces électroniques incluses, hors consommables. La garantie prend effet à la date d'installation du matériel.

Sous les conditions restrictives suivantes :

- matériel acquis auprès d'un revendeur agréé ;
- installation effectuée par un agent agréé ;
- utilisation du matériel conformément aux indications du mode d'emploi et dans le but pour lequel il a été fabriqué ;
- matériel quotidiennement entretenu conformément aux indications du mode d'emploi ;
- entretiens suivis par l'agent agréé conformément aux spécifications d'entretien avec, au minimum, un entretien par an (entretien à charge de l'utilisateur) ;
- utilisation exclusive des pièces d'origine JAC.



S'il n'y a pas de suivi d'entretien par un agent agréé et/ou que le carnet d'entretien n'est pas correctement complété, la garantie se limite à un an.

Cette garantie ne couvre pas :

- le remplacement des consommables (§9) ;
- les pièces non reconnues défectueuses par nos services ;
- les problèmes résultant d'une utilisation anormale du matériel ;
- les problèmes résultant d'une installation non effectuée par un agent agréé ;
- les pièces ou les problèmes résultant d'un dégât de transport ou d'une manutention inappropriée.

Une réparation et/ou un remplacement de pièces défectueuses effectué(es) durant la période de garantie n'a (n'ont) pas pour effet de prolonger ladite garantie.

3 AVERTISSEMENTS

Il est très important que cette notice d'utilisation soit conservée avec l'appareil pour toute future consultation. Si cet appareil devait être vendu ou transféré à une autre personne, assurez-vous que la notice d'utilisation soit remise de façon à ce que l'utilisateur puisse être informé de son fonctionnement et des avertissements s'y rapportant.



Ces avertissements sont donnés pour votre sécurité et pour celle d'autrui. Nous vous prions donc de bien vouloir les lire attentivement avant d'installer et d'utiliser l'appareil.

Cette machine a été conçue pour être utilisée par des adultes autorisés. Veillez donc à ce que les enfants n'y touchent pas ou qu'ils ne l'utilisent pas comme un jouet.

Cette machine est exclusivement réservée à un usage professionnel.

Il est dangereux de modifier ou d'essayer de modifier les caractéristiques de cette machine.

Après l'installation de cette machine, assurez-vous qu'elle ne repose pas sur le câble d'alimentation.

Suivez les instructions données pour l'utilisation.

Cette machine doit être stockée et utilisée à l'intérieur, dans un local à l'abri de l'humidité et de la chaleur.

Cette machine doit être suffisamment éclairée pour effectuer le travail.

Cette machine a un niveau sonore inférieur à 75 dB(A), suivant la norme EN ISO 3744.

Cette machine doit être utilisée par une seule personne à la fois (sauf prescription contraire).



Toujours débrancher la prise de courant avant de procéder au nettoyage intérieur/extérieur de l'appareil et aux opérations de maintenance.

Cet appareil est lourd. Prenez toutes les précautions de sécurité lors de sa manutention.

4 CARACTERISTIQUES TECHNIQUES

4.1 Caractéristiques techniques

	HF
Poids min/max des pâtons en g	50/1300
Cadence maximum en pièces/h	1800
Puissance moteur (kW)	0,37
Type moteur	Triphasé
Hauteur x Largeur x Profondeur	540 x 956 x 1145
Poids net (kg)	180

Tapis bout pointus	option
Guides d'entrée	option
Tapis d'évacuation TRF20	option
Tapis d'évacuation TRF30	option
Socle standard sur roulettes	option
Socle avec rangements	option
Module de pré-allongement	option
Farineur autonome	option
Tapis d'alimentation	option

4.2 Détail des matériaux en contact direct avec la pâte

Goulotte : INOX 304L.

Cylindre de laminage : PETP alimentaire blanc

Lame racler : Lucoflex

Tapis d'enroulement : Mailles acier inoxydable

Tapis allongement : Laine / Synthétique

Tapis allongement fixe : Laine

Tapis d'alimentation : Toile synthétique ARCOT

5 INSTALLATION ET MISE EN SERVICE

5.1 Déconditionnement de la machine

Les machines sont livrées, sorties de nos ateliers, sur palettes, sanglées et protégées par du carton. Avant toute chose, l'emballage doit être observé et tout dommage dû au transport doit être déclaré directement au livreur.

- A. Retirer le carton de la machine.
- B. Enlever les sangles en faisant particulièrement attention à la détente de ces dernières lors de leur sectionnement.
- C. Désolidariser la machine de sa palette.
- D. Monter la machine avec ses pieds (seulement pour un montage sur table) (fig.15, n°24).

E. Pour un montage sur socle, enlever les portes inférieures droite & gauche afin d'avoir accès aux pieds, les retirer et les remplacer par les vis prévues avec le socle (fig.16).

Après déballage de la machine, vérifier qu'elle n'a pas subi de dommages pendant le transport. Nous signaler toute anomalie.

5.2 Emplacement

Pour obtenir d'excellentes performances et une fiabilité à long terme, choisir un emplacement :

Bien ventilé, à l'abri du rayonnement solaire direct et éloigné des sources de chaleur, avec une surface plane et robuste exempte de vibrations.

5.3 Raccordement électrique

IMPORTANT : Mise à la terre obligatoire.

Il est conseillé de protéger l'installation avec un fusible et un disjoncteur différentiel.

Votre installation électrique alimentant la machine doit être protégée comme indiqué ci-dessous :

- Amérique du Nord : Protection 15A ;
- Reste du monde : Protection 16A.

Pour les machines équipées d'un variateur, celles-ci doivent être impérativement raccordées à une boîte de dérivation sur une ligne équipée d'un différentiel de 300mA.

Note : Tout problème résultant d'un autre type de raccordement ne sera pas pris en compte par la garantie.

Avant de connecter la machine au réseau et afin d'éviter une mise hors service du moteur à la mise sous tension, il est important de vérifier la concordance du réseau d'alimentation avec les caractéristiques de la machine (voir plaque signalétique de celle-ci).

Cet appareil est conforme aux Directives Machines 2006/42, 2006/95, 2004/108 et porte le marquage CE attestant cette conformité.

Veillez prendre connaissance des pictogrammes de sécurité figurant sur la machine :



Pictogramme signalant un risque d'électrocution. Veuillez débrancher la machine avant toute intervention sur celle-ci. Vous retrouverez ce pictogramme sur le panneau de commande qui fait office de boîtier électrique (fig.9, n°23).

Vous trouverez le schéma électrique de la machine à l'intérieur du coffret électrique (fig.9, n°23).

5.4 Mise en service

Avant la mise en service, s'assurer de l'absence de tout objet parasite sur les parties en mouvement de la machine.

S'assurer tout d'abord (après vérification des concordances électriques) que le moteur tourne dans le bon sens. Pour cela, donner une impulsion et vérifier que le tapis de caisson avant va vers le haut. S'il n'en est pas ainsi, débrancher immédiatement et inverser, dans la prise, deux fils de phase.

Pour l'utilisation de la machine, se reporter au chapitre « Utilisation ».

5.5 Danger

En cas de danger pour l'utilisateur ou pour la machine, utiliser l'interrupteur général pour couper l'alimentation de la machine.

Ne pas s'approcher des balancelles quand celles-ci sont en mouvement.

Retirer la fiche de la prise électrique avant toute opération de maintenance et d'entretien.

Toute opération de maintenance ou de remplacement de pièce doit être effectuée par un agent agréé.

6 ORGANE DE COMMANDE ET DE SECURITE

6.1 Organe de commande

Votre machine est équipée de série d'un pupitre de commande mécanique (fig.3).

6.2 Zone de travail

La zone de travail se situe devant le tapis de sortie de la machine (fig.2, n°6).

6.3 Organes de sécurité

Cette machine est équipée de sécurités :

- un interrupteur à levier (fig.7, n°17) qui arrête le fonctionnement si l'on tire la goulotte vers l'avant ;
- un interrupteur magnétique codé (fig.7, n°18) qui interdit la mise en marche si le carter avant est ouvert ;
- un bouton d'arrêt urgence (fig.3, n°7) ;
- sur les versions avec Tapis d'alimentation (en option), un interrupteur magnétique codé (fig.8, n°19) qui arrête le fonctionnement si l'on soulève le capot de protection (fig.8, n°20).

7 UTILISATION

Préréglages

Le tableau ci-dessous fournit des indications pour effectuer les réglages. Toutefois, il faut prendre en compte la nature de la pâte et le façonnage à obtenir. Un tâtonnement est donc souvent nécessaire et il est indispensable de tenir compte de la relation qui existe entre chacun des réglages.

Par exemple, un laminage insuffisant ou un allongement trop serré donne un pâton de mauvais aspect.

Le laminage s'effectue avec la molette supérieure (fig.3, n°8) (Tourner dans le sens des aiguilles d'une montre serre les rouleaux).

L'allongement s'effectue avec la molette inférieure (fig.3, n°12) (Tourner dans le sens des aiguilles d'une montre serre la plaque d'allonge).

	Laminage	Allongement
Baguette 300 g	19	11,5
Court 300 g	19	15
Pain long 400 g	18	17
Pain 520 g	18	14
Pain court 800 g	16	15
Pain long 1,8 kg	14	12
Pain court 1,8 kg	16	8
Petit pain long 50 g	12	15,5

Le résultat qualitatif du façonnage dépend des réglages mais également, entre autres, de :

- l'aptitude de la pâte à être bien façonnée (détente suffisante mais non excessive, « force » sans excès...);
- la forme régulière du pâton et sa bonne présentation.

REMARQUE :

Afin que le façonnage et l'allongement s'effectuent dans de bonnes conditions, il est indispensable de fariner :

- le tapis du caisson ;
- le tapis d'allongement.

A. Tourner d'1/4 de tour vers la droite le bouton coup de poing (arrêt d'urgence), s'il n'est pas actionné (fig.10).

B. Appuyer sur le bouton MARCHE, afin de mettre la machine en marche (fig.11).

C. Insérer les pâtons dans la goulotte sécurisée d'entrée (fig.12).

D. Récupérer les pâtons mis en forme sur le tapis de réception (fig.13).

E. Appuyer sur le bouton ARRÊT, afin de mettre la machine en arrêt (fig.14).



Pour des raisons d'hygiène alimentaire, la pâte ou la farine se trouvant sur le dessus de la machine ou en dehors ne peut en aucun cas être réutilisée ou remise dans la chaîne alimentaire.

8.1 Journalier par un utilisateur formé

À la fin du travail, nettoyer la machine afin d'éviter l'accumulation de farine pouvant nuire à son bon fonctionnement.

Relever la cote d'enroulement et, si nécessaire, brosser les tapis (**pour cette opération, ne pas utiliser de coupe-pâte métallique**).

Ouvrir le réglage de l'allongement (fig.3, n°12) au maximum afin de faciliter le séchage des tapis par la circulation d'air.

En cas d'humidité excessive, démonter l'ensemble tapis d'allonge.

8.2 Hebdomadaire par un utilisateur formé

Retirer et nettoyer les racleurs des cylindres de laminage de la manière suivante :
(opération à effectuer machine hors tension)

A. Ouvrir le capot de façade et le retirer à l'aide des deux verrous (fig.4, n°14).

B. Ecarter les rouleaux de laminage au maximum à l'aide de la manivelle de réglage (fig.3, n°8).

C. Tirer vers l'avant le racleur laminage fixe (fig.5, n°15) (décrocher au besoin les ressorts droit et gauche).

D. Nettoyer la lame (vérifier l'absence de tout résidu de pâte).

E. Remonter le racleur en plaçant chaque extrémité dans les supports en prenant soin de maintenir chaque ressort dans la gorge de sa butée.

F. Tirer vers l'avant le racleur de laminage réglable (fig.6, n°16) (décrocher au besoin les ressorts droit et gauche).

G. Nettoyer la lame (vérifier l'absence de tout résidu de pâte).

H. Remonter le racleur en plaçant chaque extrémité dans les supports en prenant soin de maintenir chaque ressort dans la gorge de sa butée.

8.3 Semestriel par un agent agréé

Lorsque la machine est en fonctionnement, s'assurer qu'il n'y a aucun bruit anormal. Vérifier en même temps le bon centrage ainsi que la bonne tension du tapis.

S'il y a lieu, effectuer les réglages nécessaires.

Machine impérativement arrêtée.

Vérifier l'état ainsi que la tension de la chaîne (graisser si nécessaire).

S'assurer du bon fonctionnement des molettes de réglage laminage et allonge.

Graisser les vis si nécessaire.

S'assurer du bon alignement de la vis et de ses paliers.

Vérifier le bon état du tapis (par simple toucher, il est facile de déterminer lorsque l'épaisseur devient critique).

Contrôler le bon état du tapis d'allongement.

9 CONSOMMABLES

Lors d'une commande d'une pièce de rechange, vérifier avec votre agent agréé de quelle pièce il s'agit sur la base du catalogue de pièces de rechange émis par le fabricant.
Toujours préciser le numéro de machine comme indiqué sur la plaque signalétique.
Votre agent effectue les commandes auprès de JAC.

9.1 Liste des CONSOMMABLES

REFERENCE	NOUVEAU LIBELLE	MODELE
F4505003	COURSIER CAISSON WOOLTOP	TOUTES
F4505003L	COURSIER CAISSON LAINE	TOUTES
F5440095	TAPIS ALLONGEMENT	TOUTES
F5408011	TAPIS COTTE DE MAILLE	TOUTES
F5442003	LAME RACLEUR	TOUTES
F5442007	RESSORT RACLEUR DROIT	TOUTES
F5442008	RESSORT RACLEUR GAUCHE	TOUTES
F54700001	COURSIER ALIMENTATION	TOUTES
F5412009L	TAPIS PREALLONGE	TOUTES

10 INCIDENTS DE FONCTIONNEMENT

Problème	Vérification
La machine ne se met pas en route	Vérifier l'alimentation générale et celle du moteur Vérifier les organes de sécurité (bouton d'arrêt urgence, sécurité goulotte, sécurité capot façade) Vérifier la sécurité du capot de protection (option tapis d'alimentation)
Le moteur ronronne mais ne démarre pas	Vérifier s'il ne manque pas une phase dans le circuit électrique Vérifier l'alimentation du moteur
Les produits en sortie d'allonge sont déchirés et n'ont pas un bel aspect.	Vérifier la tension du tapis Vérifier l'aspect et la propreté des racleurs Vérifier l'absence de croûton de pâte sur les tapis Vérifier la propreté du feutre (option bouts pointus) Vérifier les réglages d'allongement et de laminage

ATTENTION : La machine doit obligatoirement être mise hors tension pour toute intervention.



Si le problème persiste, veuillez contacter votre technicien.

11 LISTE DES COMPOSANTS SUR LES FIGURES

Figure	Bulle	Nom
1	1	Goulotte sécurisée d'entrée
	2	Tapis de réception
	3	Tablette de réception
	4	Ensemble tapis lourd
	5	Motorisation
2	6	Zone de travail
3	7	Bouton d'arrêt d'urgence
	8	Réglage laminage
	9	Témoin de laminage
	10	Bouton de mise en marche
	11	Bouton d'arrêt
	12	Réglage d'allongement
4	13	Témoin d'allongement
	14	Capot de façade
5	15	Racleur rouleau réglable
6	16	Racleur rouleau fixe
7	17	Interrupteur à levier
	18	Interrupteur magnétique codé
8	19	Interrupteur magnétique codé
	20	Capot de protection (option tapis d'alimentation)
	21	Farineur (option)
9	22	Pictogramme signalant un risque d'électrocution
	23	Schéma électrique
15	24	Pieds réglables (uniquement sur table)

1	VOR DER INBETRIEBNAHME	26
2	GARANTIE	26
3	WARNHINWEISE	27
4	TECHNISCHE DATEN	28
4.1	Technische Daten	28
4.2	Materialien der Teile, die in Kontakt mit dem Schnittgut	28
5	INSTALLATION UND INBETRIEBNAHME	28
5.1	Auspacken der Maschine:	28
5.2	Aufstellung:.....	29
5.3	Anschluss an die Stromversorgung:.....	29
5.4	Inbetriebnahme:.....	30
5.5	Gefahr:	30
6	BEDIENELEMENT UND SICHERHEITSVORRICHTUNG	30
6.1	Bedienelement:	30
6.2	Arbeitsbereich:	30
6.3	Sicherheitseinrichtungen:	30
7	BEDIENUNG	31
8	INSTANDHALTUNG	32
8.1	Taglich durch einen eingewiesenen Bediener:.....	32
8.2	Wochentlich durch einen eingewiesenen Bediener:.....	32
8.3	Halbjahrlich durch einen zugelassenen Vertreter:	32
9	ERSATZTEILE	33
9.1	ERSATZTEILLISTE	33
10	STORUNGEN UND FEHLER	33
11	LISTE DER ABGEBILDETEN TEILE UND FUNKTIONEN	34

1 VOR DER INBETRIEBNAHME

Vielen Dank, dass Sie sich für ein Gerät von JAC entschieden haben. Bitte lesen Sie diese Bedienungsanleitung vor der Installation und Inbetriebnahme dieser Maschine aufmerksam durch. Dies dient zu Ihrer Sicherheit und zum Schutz der Maschine vor Schäden.

Diese Bedienungsanleitung enthält Verweise auf verschiedene Abbildungen, die das Verständnis der Anleitungen erleichtern. Die Abbildungen befinden sich am Schluss der Bedienungsanleitung. Bitte schlagen Sie die jeweilige Abbildung anhand des angegebenen Verweises (Fig. X, Nr. Y) nach.

Damit Sie sich viele Jahre an dieser Maschine erfreuen können, möchten wir Sie bitten, die folgenden Hinweise zu berücksichtigen:

- Lassen Sie sich bei der Installation, der Inbetriebnahme und der weiteren Nutzung von Ihrem zugelassenen Vertreter unterstützen.
- Um die Garantie von fünf Jahren (siehe nachfolgende Garantiebestimmungen) in Anspruch nehmen zu können, lassen Sie bitte von Ihrem Vertriebshändler bei der Installation Ihrer Maschine das Wartungsheft ausfüllen. Das Wartungsheft befindet sich an der Rückseite Ihrer Maschine.

2 GARANTIE



JAC bietet auf alle seine Produkte eine Garantie von fünf Jahren.

Diese Garantie erstreckt sich auf alle Teile Ihrer Maschine, auch auf die elektronischen Bauteile, außer Verschleißteile. Die Garantiefrist beginnt zum Zeitpunkt der Installation der Anlage.

Es gelten die folgenden Beschränkungen:

- Das Produkt wurde bei einem zugelassenen Vertragshändler erworben.
- Die Installation wurde von einem zugelassenen Vertreter vorgenommen.
- Das Produkt wurde im Rahmen seines bestimmungsgemäßen Gebrauchs und entsprechend der Bedienungsanleitung verwendet.
- Das Produkt wurde täglich entsprechend den Vorgaben der Bedienungsanleitung instandgehalten.
- Die Wartung wird durch einen zugelassenen Vertreter entsprechend den Wartungsvorgaben durchgeführt und findet mindestens einmal jährlich statt (auf Kosten des Anwenders).
- Es werden ausschließlich Originalersatzteile von JAC verwendet.



Sofern keine Wartung durch einen zugelassenen Vertreter erfolgt bzw. das Wartungsheft nicht ordnungsgemäß ausgefüllt ist, ist die Garantie auf ein Jahr begrenzt.

Diese Garantie deckt nicht:

- den Ersatz von Verschleißteilen (siehe Abschnitt 9);
- Teile, die unser Kundendienst nicht als defekt anerkennt;

- Probleme, die sich aus einer ungewöhnlichen Nutzung des Produktes ergeben;
- Probleme, die darauf zurückzuführen sind, dass die Installation nicht durch einen zugelassenen Vertreter durchgeführt wurde;
- Beschädigungen oder Probleme, die auf einen Transportschaden oder auf die unsachgemäße Handhabung des Produktes zurückzuführen sind.

Die Durchführung einer Reparatur und/oder der Ersatz defekter Teile während der Garantiefrist führen nicht zur Verlängerung der Garantiefrist.

3 WARNHINWEISE

Bitte bewahren Sie diese Bedienungsanleitung unbedingt mit Ihrem Gerät zum späteren Nachlesen auf. Bei Verkauf oder Weitergabe Ihres Gerätes übergeben Sie bitte diese Bedienungsanleitung an den neuen Besitzer bzw. Benutzer, damit dieser über die Funktionsweise des Gerätes und die Warnhinweise informiert ist und diese befolgen kann.



Diese Warnhinweise dienen zu Ihrer Sicherheit und der Sicherheit anderer. Bitte lesen Sie die Warnhinweise vor der Installation und Verwendung Ihres Gerätes aufmerksam durch.

Diese Maschine ist für die Verwendung durch befugte erwachsene Personen bestimmt. Stellen Sie sicher, dass die Maschine nicht von Kindern berührt oder als Spielzeug benutzt wird.

Diese Maschine ist ausschließlich für den professionellen Einsatz vorgesehen.

Eine Modifizierung bzw. versuchte Modifizierung der Eigenschaften und Merkmale dieser Maschine ist gefährlich.

Stellen Sie nach der Installation dieser Maschine sicher, dass diese nicht auf dem Netzkabel steht.

Befolgen Sie stets die Anleitungen zur Bedienung und Verwendung.

Die Maschine ist in einem Innenraum und gegen Feuchtigkeit und Hitze geschützt aufzustellen.

Die Maschine muss zur Durchführung der Arbeiten ausreichend ausgeleuchtet sein.

Der Geräuschpegel der Maschine liegt unter 75 dB(A) und entspricht damit der EN ISO 3744.

Die Maschine darf nicht von mehreren Personen gleichzeitig benutzt werden (es sei denn, die Anleitung gibt etwas Anderes vor).



Vor Reinigungsarbeiten innen und außen am Gerät und vor Wartungsarbeiten immer den Netzstecker ziehen.

Dieses Gerät ist sehr schwer. Beim Transport und Bewegen des Gerätes sind angemessene Vorsichtsmaßnahmen zu ergreifen.

4 TECHNISCHE DATEN

4.1 Technische Daten

	HF
Min./max. Gewicht der Teiglinge (in g)	50/1300
Max. Arbeitsgeschwindigkeit in Stück/Stunde	1800
Motorleistung (kW)	00:37
Motortyp	dreiphasig
Höhe x Breite x Tiefe	540 x 956 x 1145
Nettogewicht (kg)	180

Band für Spitzenden	Option
Zufuhrführungen	Option
Austragsband TRF20	Option
Austragsband TRF30	Option
Standard-Rollgestell	Option
Rollgestell mit Blechablage	Option
Vorausrollmodul	Option
Unabhängiger Bemehler	Option
Zuführband	Option

4.2 Materialien der Teile, die in Kontakt mit dem Schnittgut kommen

Führung: EDELSTAHL 304L

Walzylinder: PETP weiß, nahrungsmittelfest

Abstreifermesser: Lucoflex

Aufwickelband: Edelstahlmaschen

Ausrollband: Wolle / Synthetik

Feststehendes Ausrollband: Wolle

Zuführband: Synthetikgewebe ARCOT.

5 INSTALLATION UND INBETRIEBNAHME

5.1 Auspacken der Maschine:

Unsere Maschinen werden zur Lieferung ab Werk auf Paletten verpackt, mit Umreifungsbändern gesichert und mit einer Kartonverpackung geschützt. Prüfen Sie die Verpackung bei Erhalt auf Beschädigungen und teilen Sie dem Spediteur etwaige Transportschäden direkt mit.

- A. Den Karton entfernen.
- B. Entfernen Sie die Umreifungsbänder und bedenken Sie dabei, dass diese beim Durchschneiden aufspringen.
- C. Heben Sie die Maschine von der Palette.



D. Die Maschine mit den Füßen montieren (nur bei einer Tischmontage) (Fig. 15, Nr. 24).

E. Für die Montage auf dem Sockel die rechte und linke Innentür ausbauen, um Zugang zu den Füßen zu erhalten und diese entfernen und durch die Schrauben ersetzen, die für den Sockel vorgesehen sind (Fig. 16).

Die Maschine nach dem Auspacken auf Transportschäden überprüfen. Melden Sie uns bitte alle Fehler und Schäden.

5.2 Aufstellung:

Um eine hohe Leistung, eine lange Lebensdauer und einen zuverlässigen Betrieb sicherzustellen, sollte der Aufstellort wie folgt beschaffen sein:

Gut belüftet, vor direkter Sonneneinstrahlung geschützt, in ausreichender Entfernung zu Wärmequellen, mit ebenem, tragfähigen und schwingungsfreien Boden.

5.3 Anschluss an die Stromversorgung:

WICHTIG: Die Erdung der Maschine ist vorgeschrieben.

Wir empfehlen den Schutz der Anlage durch eine Sicherung und einen FI-Schutzschalter.

Ihr Stromnetz zur Versorgung der Maschine muss folgendermaßen geschützt werden:

- Nordamerika: Schutz 15 A;
- Rest der Welt: Schutz 16 A.

Maschinen mit Stromrichter müssen zwingend über einen FI-Schutzschalter für 300 mA angeschlossen werden.

Hinweis: Probleme und Störungen, die sich durch abweichende Ausführung des Anschlusses ergeben, sind nicht durch die Garantie gedeckt.

Prüfen Sie vor dem Anschließen der Maschine an das Stromnetz unbedingt, ob die Stromversorgung für die Maschine geeignet ist (siehe Angaben auf dem Typenschild), um einen Motorausfall beim Einschalten zu vermeiden.

Dieses Gerät entspricht den Maschinenrichtlinien 2006/42, 2006/95, 2004/108 und ist daher mit dem CE-Zeichen gekennzeichnet.

Bitte beachten Sie die an der Maschine angebrachten Warnsymbole:



Warnsymbol zur Anzeige der Gefahr eines tödlichen Stromschlags. Die Maschine vor jedem Eingriff vom Stromnetz nehmen. Dies befindet sich auf dem Bedienelement, das auch als Schaltschrank verwendet wird. (Fig. 9, Nr. 23)

Der Schaltplan der Maschine befindet sich im Schaltschrank (Fig. 9, Nr. 23).

5.4 Inbetriebnahme:

Vor der Inbetriebnahme sicherstellen, dass sich keine Fremdkörper auf den beweglichen Teilen der Maschine befinden.

Zunächst (nach Überprüfung der elektrischen Übereinstimmung) sicherstellen, dass der Motor in die richtige Richtung dreht. Dazu einen Impuls geben und überprüfen, ob das Band des vorderen Gehäuses nach oben läuft.

Soweit das nicht der Fall ist, die Maschine sofort vom Netz nehmen und in der Steckdose die beiden Phasen umkehren.

Weitere Informationen zur Verwendung der Maschine erhalten Sie im Abschnitt „Bedienung“.

5.5 Gefahr:

Bei einer Gefahr für den Anwender oder die Maschine ist die Maschine über den Hauptschalter auszuschalten.

Nicht in die Nähe der Gehänge kommen, wenn diese bewegt werden.

Vor Wartungs- oder Instandsetzungsmaßnahmen den Netzstecker ziehen.

Wartungsmaßnahmen und der Austausch von Ersatzteilen dürfen nur durch einen zugelassenen Vertreter durchgeführt werden.

6 BEDIENELEMENT UND SICHERHEITSVORRICHTUNG

6.1 Bedienelement:

Ihre Maschine ist serienmäßig mit einem mechanischen Bedienpult ausgestattet (Fig. 3).

6.2 Arbeitsbereich:

Der Arbeitsbereich befindet sich vor dem Austragsband (Fig. 4, Nr. 6).

6.3 Sicherheitseinrichtungen:

Diese Maschine ist mit folgenden Sicherheitseinrichtungen ausgestattet:

- einem hebelgeführten Schalter (Fig. 7, Nr. 17), der den Betrieb unterbricht, wenn die Führung nach vorn gezogen wird.
- einem codierten Magnetschalter (Fig. 7, Nr. 18), der bei geöffnetem Gehäuse das Einschalten verhindert.
- einem Not-Aus-Schalter (Fig. 3, Nr. 7).
- Bei den Ausführungen mit Zuführband (Option), mit einem codierten Magnetschalter (Fig. 8, Nr. 19), der den Betrieb unterbricht, wenn die Schutzabdeckung angehoben wird (Fig. 8, Nr. 20).

7 **BEDIENUNG**

Voreinstellungen:

Die Tabelle oben zeigt die Hinweise zu den einzelnen Einstellungen. Selbstverständlich ist dabei die Art des Teigs und der Langwirkung zu berücksichtigen. Dementsprechend muss man sich häufig an die richtigen Werte herantasten und das Verhältnis zwischen den einzelnen Einstellungen ist zwingend zu berücksichtigen.

Ein unzureichendes Walzen oder ein zu enges Ausrollen führen beispielsweise zu unansehnlichen Teiglingen.

Das Walzen wird am oberen Drehrad (Fig. 3, Nr. 8) eingestellt. (Das Drehen im Uhrzeigersinn führt die Walzen enger zusammen).

Das Ausrollen wird am unteren Drehrad (Fig. 3, Nr. 12) eingestellt. (Das Drehen im Uhrzeigersinn presst die Ausrollplatte zusammen).

	Walzen	Ausrollen
Baguette 300 g	19	11.5
Kurz 300 g	19	15
Langes Brot 400 g	18	17
Brot 520 g	18	14
Kurzes Brot 800 g	16	15
Langes Brot 1.8 kg	14	12
Kurzes Brot 1.8 kg	16	8
Kleines langes Brot 50 g	12	15.5

Das Langwirkergebnis hängt von den Einstellungen und auch von den folgenden Elementen ab:

- die Eignung des Teigs für die Langwirkung (ausreichende, jedoch nicht übermäßige Gärung, "Kraft", aber nicht zu viel...).
- der regelmäßigen Form des Teiglings und seiner guten Beschaffenheit ab.

HINWEIS:

Damit das Langwirken und das Ausrollen optimal durchgeführt werden können, muss Folgendes zwingend bemehlt werden:

- das Gehäuseband;
- das Ausrollband.

- Den Pilztaster (Not-Aus), sofern er nicht betätigt ist, um eine 1/4-Umdrehung nach rechts drehen (Fig. 10).
- Zum Einschalten der Maschine auf die Schaltfläche MARCHE [Ein] (Fig. 11) drücken.
- Die Teiglinge in die gesicherte Zufuhrführung legen (Fig. 12).
- Die geformten Teiglinge vom Ausgabeband (Fig. 13) entnehmen.
- Zum Ausschalten der Maschine auf die Schaltfläche ARRET [Aus] (Fig. 14) drücken.



Aus Gründen der Nahrungsmittelhygiene darf kein Teig oder Mehl, welche sich oben auf oder außerhalb der Maschine befinden, wiederverwendet oder wieder in die Nahrungsmittelkette gebracht werden.

8.1 Täglich durch einen eingewiesenen Bediener:

Nach Abschluss der Arbeiten die Maschine reinigen, damit sich kein Mehl ansammeln kann, das den Betrieb der Maschine beeinträchtigen kann.

Die Walzseite anheben und bei Bedarf die Bänder abbürsten (**dazu keinen metallischen Teigteiler verwenden**).

Die Ausrolleinstellung (Fig. 3, Nr. 12) möglichst weit öffnen, um das Trocknen der Bänder durch die Luftzirkulation zu unterstützen.

Wenn der Feuchtigkeitsgehalt zu hoch ist, die gesamte Baugruppe mit dem Ausrollband ausbauen.

8.2 Wöchentlich durch einen eingewiesenen Bediener:

Die Abstreifer der Walzzyylinder folgendermaßen ausbauen und reinigen:
(Dies ist bei ausgeschalteter Maschine durchzuführen).

A. Die Frontabdeckung öffnen und über die beiden Riegel herausziehen (Fig. 4, Nr. 14).

B. Die Walzrollen mittels Einstellgriff (Fig. 3, Nr. 8) möglichst weit spreizen.

C. Den feststehenden Walzabstreifer (Fig. 5, Nr. 15) nach vorn ziehen (bei Bedarf die rechte und linke Feder aushängen).

D. Das Messer von sämtlichen Teigresten reinigen.

E. Den Abstreifer wieder montieren und dabei jedes Ende in die Halterungen legen und darauf achten, dass jede Feder bis zum Anschlag tief sitzt.

C. Den verstellbaren Walzabstreifer (Fig. 6, Nr. 16) nach vorn ziehen (bei Bedarf die rechte und linke Feder aushängen).

G. Das Messer von sämtlichen Teigresten reinigen.

H. Den Abstreifer wieder montieren und dabei jedes Ende in die Halterungen legen und darauf achten, dass jede Feder bis zum Anschlag tief sitzt.

8.3 Halbjährlich durch einen zugelassenen Vertreter:

Während des Maschinenbetriebs auf ungewöhnliche Geräusche achten. Gleichzeitig die richtige Zentrierung und Bandspannung überprüfen.

Bei Bedarf die erforderlichen Einstellungen vornehmen.

Bei zwingend abgeschalteter Maschine.

Die Kettenspannung überprüfen (bei Bedarf schmieren).

Die Funktionstüchtigkeit der Einstellräder für das Walzen und Ausrollen überprüfen.

Bei Bedarf die Schrauben schmieren.

Die korrekte Ausrichtung der Schrauben und der Lager überprüfen.

Den Zustand des Bands überprüfen (durch eine einfache Berührung kann festgestellt werden, ob die Stärke schon kritisch ist).

Den Zustand des Ausrollbands überprüfen.

9 ERSATZTEILE

Um Ersatzteile für Ihre Maschine zu bestellen, lassen Sie von Ihrem Vertreter anhand des Ersatzteilkatalogs des Herstellers prüfen, um welche Teile es sich genau handelt. Dazu immer die Maschinenummer übermitteln, die auf dem Typenschild steht. Ihr Vertreter bestellt das Ersatzteil dann bei JAC.

9.1 ERSATZTEILLISTE

TEILENUMMER	NEUES TEXTBLATT	MODELL
F4505003	SCHUSSRINNE GEHÄUSE WOOLTOP	ALLE
F4505003L	SCHUSSRINNE GEHÄUSE WOLLE	ALLE
F5440095	FÖRDERBAND VERLÄNGERUNG	ALLE
F5408011	FÖRDERBAND METALLMASCHEN	ALLE
F5442003	ABSTREIFKLINGE	ALLE
F5442007	FEDER ABSTREIFER RECHTS	ALLE
F5442008	FEDER ABSTREIFER LINKS	ALLE
F54700001	SCHUSSRINNE ZUFÜHRUNG	ALLE
F5412009L	FÖRDERBAND VORVERLÄNGERUNG	ALLE

10 STÖRUNGEN UND FEHLER

Problem	Fehlersuche
Die Maschine lässt sich nicht einschalten	Die allgemeine Versorgung und die Versorgung des Motors überprüfen. Die Sicherheitseinrichtungen überprüfen (Not-Aus, Führungssicherung, Sicherung Frontabdeckung). Die Sicherheit der Schutzabdeckung überprüfen (Option Zuführband).
Der Motor macht Geräusche, aber fährt nicht an	Überprüfen, ob eine Phase im Schaltkreis fehlt. Die Versorgung des Motors überprüfen.
Die Produkte sind nach dem Ausrollen zerrissen und sehen schlecht aus.	Die Spannung des Bands überprüfen. Das Aussehen und die Sauberkeit der Abstreifer überprüfen. Prüfen, ob Brotkrumen am Band haften. Die Sauberkeit des Filzes überprüfen (Option spitze Enden). Die Einstellungen für das Ausrollen und Walzen überprüfen.

VORSICHT: Vor allen Eingriffen an der Maschine ist die Maschine zwingend von der Stromversorgung zu trennen.



Bei Anhalten des Problems wenden Sie sich bitte an Ihren Servicetechniker.

11 LISTE DER ABGEBILDETEN TEILE UND FUNKTIONEN

Abbildung	Nummer	Bezeichnung
1	1	Gesicherte Zuführung
	2	Ausgabeband
	3	Ausgabetisch
	4	Baugruppe schweres Band
	5	Motorantrieb
2	6	Arbeitsbereich
3	7	Not-Aus-Schalter
	8	Einstellung des Walzens
	9	Walzanzeige
	10	Einschalter
	11	Ausschalter
	12	Einstellung Ausrollen
	13	Anzeige Ausrollen
4	14	Frontabdeckung
5	15	Einstellbarer Walzenabstreifer
6	16	Feststehender Walzenabstreifer
7	17	Hebelschalter
	18	Codierter magnetischer Schalter
8	19	Codierter magnetischer Schalter
	20	Schutzabdeckung (Option Zuführband).
	21	Bemehler (Option)
9	22	Warnsymbol zur Anzeige der Gefahr eines tödlichen Stromschlags.
	23	Schaltplan
15	24	Einstellbare Füße (nur mit Tisch)

1	VÓÓR DE INBEDRIJFSTELLING	36
2	GARANTIE.....	36
3	WAARSCHUWINGEN	37
4	TECHNISCHE EIGENSCHAPPEN.....	38
4.1	Technische eigenschappen.....	38
4.2	Materiaal dat rechtstreeks in contact komt met het deeg	38
5	INSTALLATIE EN INBEDRIJFSTELLING	38
5.1	De machine uit de verpakking halen:	38
5.2	Plaatsing:.....	39
5.3	Elektrische aansluiting:	39
5.4	Inbedrijfstelling:.....	39
5.5	Gevaar:	40
6	BEDIENINGS- EN VEILIGHEIDSPANEEL	40
6.1	Bedieningspaneel:.....	40
6.2	Werkzone:.....	40
6.3	Veiligheidsvoorzieningen:	40
7	GEBRUIK.....	41
8	ONDERHOUD.....	42
8.1	Dagelijks door een opgeleide gebruiker.....	42
8.2	Wekelijks door een opgeleide gebruiker.....	42
8.3	Halfjaarlijks door een erkende verdeler.....	42
9	VERBRUIKSGOEDEREN.....	43
9.1	Lijst met VERBRUIKSGOEDEREN	43
10	STORINGEN	43
11	LIJST MET ONDERDELEN OP DE AFBEELDINGEN.....	44

1 VÓÓR DE INBEDRIJFSTELLING

Bedankt dat u hebt gekozen voor een JAC-oplossing. Neem deze gebruikershandleiding grondig door voordat u deze machine installeert en in werking stelt. Zo kunt u uzelf beschermen en schade aan uw machine vermijden.

Deze handleiding verwijst naar diverse afbeeldingen zodat u de instructies beter kunt begrijpen. Deze afbeeldingen bevinden zich op het einde van de handleiding. Raadpleeg ze wanneer u de volgende symbolen tegenkomt (fig.X, n°Y).

Om nog jarenlang van uw machine te kunnen genieten, raden we u aan om de volgende adviezen na te leven:

- Doe een beroep op uw erkende verdeler voor de installatie, inbedrijfstelling en opvolging.
- Om te kunnen genieten van de garantie van vijf jaar (zie verder voor de voorwaarden), moet u bij de installatie van uw machine het onderhoudsboekje laten invullen door uw verdeler. Dit onderhoudsboekje bevindt zich aan de achterkant van uw machine.

2 GARANTIE



JAC biedt een garantie van vijf jaar op al zijn producten.

Deze garantie is geldig voor alle onderdelen van uw machine, waaronder de elektronische onderdelen, maar uitgezonderd de verbruiksgoederen. De garantie treedt in werking op de installatiedatum van het materiaal.

Onder de volgende beperkende voorwaarden:

- Het materiaal moet bij een erkende verdeler zijn aangekocht.
- De installatie moet door een erkende verdeler zijn uitgevoerd.
- Het materiaal moet worden gebruikt in overeenstemming met de aanwijzingen in de gebruikershandleiding en voor het doel waarvoor het werd geproduceerd.
- Het materiaal moet dagelijks worden onderhouden in overeenstemming met de aanwijzingen in de gebruikershandleiding.
- Ten minste één keer per jaar moet onderhoud worden uitgevoerd door de erkende verdeler en dit in overeenstemming met de onderhoudsspecificaties (onderhoud ten laste van de gebruiker).
- Alleen originele JAC-onderdelen mogen worden gebruikt.



Als er geen onderhoud wordt uitgevoerd door een erkende verdeler en/of het onderhoudsboekje niet correct wordt ingevuld, is de garantie beperkt tot één jaar.

De volgende zaken vallen niet onder deze garantie:

- De vervanging van verbruiksgoederen (§9).
- Defecte stukken die door onze diensten niet worden erkend.
- Problemen ten gevolge van een abnormaal gebruik van het materiaal.
- Problemen doordat de installatie niet door een erkende verdeler is uitgevoerd.
- De onderdelen of problemen die het gevolg zijn van transportschade of een ongepaste behandeling.

Een reparatie en/of een vervanging van defecte onderdelen tijdens de garantieperiode verlengt deze garantie niet.

3 WAARSCHUWINGEN

Het is heel belangrijk dat deze gebruikershandleiding bij het apparaat wordt bewaard zodat ze later kan worden geraadpleegd. Als dit apparaat wordt verkocht of aan een andere persoon wordt overgedragen, zorg er dan voor dat de gebruikershandleiding wordt overhandigd zodat de gebruiker op de hoogte is van de werking ervan en van de daarin vermelde waarschuwingen.



Deze waarschuwingen worden gegeven voor uw veiligheid en die van anderen. We vragen u dan ook ze aandachtig te lezen voordat u het apparaat installeert en gebruikt.

Deze machine werd ontworpen om door bevoegde volwassenen te worden gebruikt. Zorg er dus voor dat kinderen de machine niet aanraken en niet als speelgoed beschouwen.

Deze machine is uitsluitend voorbehouden voor professioneel gebruik.

Het is gevaarlijk om de eigenschappen van deze machine te wijzigen of te proberen wijzigen.

Zorg er na de installatie van deze machine voor dat ze niet op het netsnoer staat.

Volg de meegeleverde gebruiksinstructies.

Deze machine moet worden bewaard en gebruikt in een ruimte die niet vochtig of warm wordt.

Deze machine moet voldoende verlicht zijn om het werk uit te voeren.

Deze machine heeft een geluidsniveau van minder dan 75 dB(A) conform de norm EN ISO 3744.

Deze machine mag slechts door één persoon tegelijkertijd worden gebruikt (behoudens tegengestelde instructie).



Haal altijd de stekker uit het stopcontact vooraleer u de buiten- of binnenkant van het apparaat schoonmaakt of onderhoud uitvoert.

Dit apparaat is zwaar. Neem alle veiligheidsmaatregelen tijdens het onderhoud.

4 TECHNISCHE EIGENSCHAPPEN

4.1 Technische eigenschappen

	HF
Min./max. gewicht van de deegklompen in g	50/1300
Maximale snelheid in stuks/uur	1800
Motorvermogen (kW)	0,37
Motortype	Driefasig
Hoogte x breedte x diepte	540 x 956 x 1145
Nettogewicht (kg)	180

Transportband met spitse uiteinden	optie
Ingangseleiders	optie
Afvoerband TRF20	optie
Afvoerband TRF30	optie
Standaard sokkel op wieltjes	optie
Sokkel met berging	optie
Module voor-uitrekking	optie
Bloemstrooier	optie
Toevoerband	optie

4.2 Materiaal dat rechtstreeks in contact komt met het deeg .

Kabelgoot: INOX 304L.

Walscilinder: Witte PETP voor voeding

Bladschraper: Lucoflex

Rolband: Mazen in roestvrij staal

Rekband: Wol/Synthetisch

Vaste rekband: Wol

Toevoerband: Synthetische doek ARCOT.

5 INSTALLATIE EN INBEDRIJFSTELLING

5.1 De machine uit de verpakking halen:

De machines worden uit onze ateliers op pallets, verankerd en met karton beschermd geleverd. U moet eerst en vooral de verpakking bekijken en elke transportschade onmiddellijk aan de koerier melden.

- Haal het karton van de machine.
- Verwijder de riemen en let daarbij met name op de terugslag wanneer ze worden doorgesneden.
- Maak de machine los van de pallet.
- Monteer de machine met de voetsteunen (alleen voor montage op tafel) (fig.15, n°24).

E. Voor een montage op een sokkel haalt u de deuren onderaan links en rechts weg om toegang te krijgen tot de voetsteunen. Haal ze weg en vervang ze door de met de sokkel meegeleverde schroeven (fig16).

Na het uitpakken van uw machine moet u nakijken of ze tijdens het transport geen schade heeft opgelopen. Meld ons elke afwijking.

5.2 Plaatsing:

Voor uitstekende prestaties en betrouwbaarheid op lange termijn moet u een plaats kiezen die:

Goed verlucht is, niet blootgesteld is aan direct zonlicht en uit de buurt is van warmtebronnen, met een vlak, stevig en trillingsvrij oppervlak.

5.3 Elektrische aansluiting:

BELANGRIJK: Verplichte aarding.

Er wordt aangeraden om de installatie te beveiligen met een zekering en differentieelschakelaar.

Uw elektriciteitsinstallatie die stroom levert aan de machine moet als volgt worden beveiligd:

- Noord-Amerika: Beveiliging 15 A

- Rest van de wereld: Beveiliging 16 A

Machines die uitgerust zijn met een regelaar moeten worden aangesloten op een aftakdoos op een lijn die uitgerust is met een differentieelschakelaar van 300 mA.

Opmerking: Elk probleem dat te wijten is aan een andere soort aansluiting wordt niet gedekt door de garantie.

Voordat u uw machine op het net aansluit en om een storing van de motor bij het onder spanning zetten te vermijden, is het belangrijk dat u controleert of het elektriciteitsnet overeenstemt met de eigenschappen van de machine (zie het identificatieplaatje).

Dit apparaat is conform de machinerichtlijnen 2006/42, 2006/95, 2004/108 en draagt de CE-markering die hiervan getuigt.

Houd rekening met de veiligheidspictogrammen op de machine:



Pictogram dat wijst op gevaar voor elektrocutie. Schakel de machine voor elke interventie uit. Deze is terug te vinden op het bedieningspaneel dat dienst doet als elektrische kast (fig.9, n°23).

U vindt het elektrische schema van de machine binnenin de elektrische kast (fig.9, n°23).

5.4 Inbedrijfstelling:

Zorg er vóór de inbedrijfstelling voor dat er zich geen enkel storend voorwerp bevindt op de bewegende onderdelen van de machine.

Wees er eerst zeker van (na controle van de elektrische overeenstemming) dat de motor in de juiste richting draait. Geef daartoe een impulsie en controleer of de band van de behuizing vooraan omhoog gaat.

Als dat niet zo is, trek de machine dan onmiddellijk uit het stopcontact en keer in de stekker de twee faseadraden om.

Raadpleeg het hoofdstuk "Gebruik" voor informatie over het gebruik van de machine.

5.5 Gevaar:

Als er gevaar is voor de gebruiker of voor de machine, moet u de hoofdschakelaar gebruiken om de stroomtoevoer naar de machine te onderbreken.

Kom niet in de buurt van de rijkasten wanneer deze in beweging zijn.

Haal de stekker uit het stopcontact voordat u onderhoud uitvoert.

Elk onderhoud of vervanging van een onderdeel moet door een bevoegde verdeler worden uitgevoerd.

6 BEDIENINGS- EN VEILIGHEIDSPANEEL

6.1 Bedieningspaneel:

Uw machine is standaard uitgerust met een mechanisch bedieningspaneel (fig. 3).

6.2 Werkzone:

De werkzone bevindt zich voor de afvoerband van de machine (fig.2, n°6).

6.3 Veiligheidsvoorzieningen:

Deze machine is uitgerust met veiligheidsvoorzieningen:

- Een hendelschakelaar (fig.7, n°17) die de werking stopt als de kabelgoot naar voren wordt getrokken.
- Een gecodeerde magnetische schakelaar (fig.7, n°18) die de inwerkingstelling verbiedt als de omhulling vooraan geopend is.
- Een noodstopknop (fig.3, n°7).
- Op de versies met toevoerband (optie) een gecodeerde magnetische schakelaar (fig.8, n°19) die de werking stopt als de beschermkap wordt opgetild (fig.8, n°20).

Voorafgaande instellingen:

Bovenstaande tabel geeft aanwijzingen om de instellingen uit te voeren. U moet echter rekening houden met de aard van het deeg en de te verkrijgen vormgeving. Vaak moet u het eerst eens uitproberen want u dient absoluut rekening te houden met de verhouding tussen elk van de instellingen.

Zo leidt bijvoorbeeld onvoldoende walsen of een te korte uitrekking tot een deegklomp met slecht uiterlijk.

Het walsen gebeurt met het bovenste afstelwiel (fig.3, n°8) (door met de wijzers van de klok mee te draaien, worden de rollen aangedrukt).

Het uitrekken gebeurt met het onderste afstelwiel (fig.3, n°8) (door met de wijzers van de klok mee te draaien, wordt de uitrekplaat aangedrukt).

	Walsen	Uitrekken
Baguette 300 g	19	11,5
Kort brood 300 g	19	15
Lang brood 400 g	18	17
Brood 520 g	18	14
Kort brood 800 g	16	15
Lang brood 1,8 kg	14	12
Kort brood 1,8 kg	16	8
Klein lang brood 50 g	12	15,5

Het kwaliteitsresultaat van de vormgeving hangt van de instellingen af, maar onder andere ook van:

- De mate waarin het deeg goed kan worden gevormd (voldoende maar niet te slap, 'kracht' maar niet te veel...).
- De regelmatige vorm van de deegklomp en zijn goede uiterlijk..

OPMERKING:

Om de vormgeving en het rekken in goede omstandigheden te laten verlopen, moet er zeker bloem worden gestrooid op het volgende :

- De band van de behuizing.
- De rekbands.

- Draai de vuistslagknop (noodstop) een kwartdraai naar rechts als deze niet ingeschakeld is (fig.10).
- Druk op de knop START om de machine te starten (fig.11).
- Plaats de deegklompen in de beveiligde invoerkabelgoot (fig.12).
- Haal de gevormde deegklompen van de opvangband (fig.13).
- Druk op de knop STOP om de machine te stoppen (fig.14).



Vanwege de voedselhygiëne mag deeg of bloem dat op of buiten de machine is geweest in geen enkel geval opnieuw worden gebruikt of in de voedselketen worden gebracht.

8.1 Dagelijks door een opgeleide gebruiker.

Maak op het einde van het werk de machine schoon om bloemophoping te voorkomen. Hierdoor kan de goede werking immers verhinderd worden.

Verwijder de wikkeling en borstel de banden, indien nodig (**gebruik hiervoor geen metalen deegsnijder**).

Open de rekafstelling (fig.3, n°12) maximaal om de banden gemakkelijk door de luchtcirculatie te laten drogen.

Demonteer de hele rekband bij buitensporige vochtigheid.

8.2 Wekelijks door een opgeleide gebruiker.

Verwijder de schrapers van de walscilinders op de volgende manier en maak ze schoon: (Handeling uit te voeren wanneer de machine is uitgetrokken)

- A. Open de klep vooraan en verwijder hem met behulp van de twee grendels (fig.4, n°14).
- B. Verwijder de walsrollen zo veel mogelijk met de regelkruk (fig.3, n°8).
- C. Trek de vaste walsschraper naar voren (fig.5, n°15) (maak zo nodig de veren rechts en links los).
- D. Maak het blad schoon (controleer of er nog deegresten zijn).
- E. Plaats de schraper terug op zijn plaats door elk uiteinde in de ondersteuning te plaatsen en er op te letten dat elke veer in de gleuf van zijn lager blijft.
- F. Trek de afstelbare walsschraper naar voren (fig.6, n°16) (maak zo nodig de veren rechts en links los).
- G. Maak het blad schoon (controleer of er nog deegresten zijn).
- H. Plaats de schraper terug op zijn plaats door elk uiteinde in de ondersteuning te plaatsen en er op te letten dat elke veer in de gleuf van zijn lager blijft.

8.3 Halfjaarlijks door een erkende verdeler.

Verzeker u ervan dat er geen abnormaal geluid is wanneer de machine werkt. Controleer tegelijkertijd de goede centrering evenals de goede spanning van de band.

Voer, indien nodig, de vereiste instellingen uit.

Machine verplicht gestopt.

Controleer de status en de spanning van de ketting (smeer indien nodig).

Verzeker u ervan dat de afstelwielletjes voor het walsen en rekken goed werken.

Smeer de schroeven, indien nodig, in.

Zorg ervoor dat de schroef en zijn lagers goed zijn uitgelijnd.

Controleer de goede staat van de band (door gewoon aan te raken kunt u gemakkelijk bepalen of de dikte kritiek wordt).

Controleer de goede staat van de rekband.

9 VERBRUIKSGOEDEREN

Ga bij de bestelling van een reserveonderdeel met uw verdeler na om welk stuk het gaat op basis van de reserveonderdelencatalogus van de fabrikant.

Geef altijd het machinenummer op zoals vermeld op het identificatieplaatje.

Uw verdeler voert de bestellingen uit bij JAC.

9.1 Lijst met VERBRUIKSGOEDEREN

REFERENTIE	NIEUWE OMSCHRIJVING	MODEL
F4505003	BAND BEHUIZING WOOLTOP	ALLE
F4505003L	BAND BEHUIZING WOL	ALLE
F5440095	REKBAND	ALLE
F5408011	GERASTERDE BAND	ALLE
F5442003	BLADSCHRAPER	ALLE
F5442007	SCHRAPERVEER RECHTS	ALLE
F5442008	SCHRAPERVEER LINKS	ALLE
F54700001	TOEVOERBAND	ALLE
F5412009L	VOORREKBAND	ALLE

10 STORINGEN

Probleem	Controle
De machine start niet op	Controleer de algemene voeding en die van de motor. Controleer de veiligheidsvoorzieningen (noodstopknop, beveiliging kabelgoot, beveiliging klep vooraan). Controleer de beveiliging van de beschermkap (optie toevoerband).
De motor ronkt maar start niet op	Controleer of er geen fase ontbreekt in de stroomkring. Controleer de voeding van de motor.
De uitgerekte producten zijn gescheurd en zien er niet mooi uit.	Controleer de spanning van de band. Controleer het uiterlijk en de schoonheid van de schrapers. Controleer of er deegkorsten op de band zitten. Controleer de schoonheid van de vilt (optie spitse uiteinden). Controleer de rek- en wals-instellingen.

OPGELET: Bij elke tussenkomst moet de machine uit het stopcontact worden getrokken.



Als het probleem zich blijft voordoen, neem dan contact op met uw technicus.

11 LIJST MET ONDERDELEN OP DE AFBEELDINGEN

Afbeelding	Nummer	Naam
1	1	Beveiligde invoerkabelgoot
	2	Opvangband
	3	Opvangschuif
	4	Geheel van zware band
	5	Mechanisering
2	6	Werkzone
3	7	Noodstopknop
	8	Walsafstelling
	9	Walsverklikker
	10	Startknop
	11	Stopknop
	12	Rekafstelling
	13	Rekverklikker
4	14	Klep vooraan
5	15	Afstelbare rolschraper
6	16	Vaste rolschraper
7	17	Hendelschakelaar
	18	Gecodeerde magnetische schakelaar
8	19	Gecodeerde magnetische schakelaar
	20	Beschermkap (optie toevoerband)
	21	Bloemstrooier (optie)
9	22	Pictogram dat wijst op gevaar voor elektrocutie
	23	Elektrisch schema
15	24	Afstelbare voeten (alleen op tafel)

1	ПЕРЕД ВВОДОМ В ЭКСПЛУАТАЦИЮ	46
2	ГАРАНТИЯ.....	46
3	ПРЕДУПРЕЖДЕНИЯ.....	47
4	ТЕХНИЧЕСКИЕ ХАРАКТЕРИСТИКИ	48
4.1	Технические характеристики	48
4.2	Подробности о материалах, находящихся в непосредственном контакте с тестом.	48
5	УСТАНОВКА И ВВОД В ЭКСПЛУАТАЦИЮ	48
5.1	Распаковка машины	48
5.2	Место установки	49
5.3	Электрическое подключение.....	49
5.4	Ввод в эксплуатацию.....	50
5.5	Опасность	50
6	ОРГАНЫ УПРАВЛЕНИЯ И ПРЕДОХРАНИТЕЛЬНЫЕ УСТРОЙСТВА	50
6.1	Органы управления.....	50
6.2	Рабочая зона.....	50
6.3	Предохранительные устройства.....	50
7	ЭКСПЛУАТАЦИЯ	51
8	ТЕХНИЧЕСКОЕ ОБСЛУЖИВАНИЕ	52
8.1	Ежедневное, выполняется пользователем, прошедшим подготовку.....	52
8.2	Еженедельное, выполняется пользователем, прошедшим подготовку.....	52
8.3	Полугодичное, выполняется аккредитованным специалистом.....	52
9	РАСХОДНЫЕ МАТЕРИАЛЫ.....	53
9.1	Список РАСХОДНЫХ МАТЕРИАЛОВ	53
10	НЕПОЛАДКИ В РАБОТЕ	54
11	СПИСОК КОМПЛЕКТУЮЩИХ НА ИЗОБРАЖЕНИЯХ.....	55

1 ПЕРЕД ВВОДОМ В ЭКСПЛУАТАЦИЮ

Благодарим за то, что выбрали компанию JAC. Перед установкой машины и ее вводом в эксплуатацию обязательно прочтите настоящее руководство. Таким образом вы сможете защитить себя и избежать повреждений машины.

В настоящем руководстве содержатся ссылки на различные изображения, облегчающие понимание инструкций. Эти изображения находятся в конце руководства. Обращайтесь к ним, когда встретите в тексте обозначения следующего вида: (fig.X, n°Y).

Для обеспечения бесперебойной работы машины в будущем предлагаем ознакомиться с представленными ниже правилами.

— Для установки машины, ее ввода в эксплуатацию и контроля работы обращайтесь к аккредитованному специалисту.

— Чтобы на машину подействовала 5-летняя гарантия (см. необходимые условия далее), дистрибьютор должен заполнить журнал технического обслуживания при установке машины. Журнал технического обслуживания находится с тыльной части машины.

2 ГАРАНТИЯ



Компания JAC предоставляет 5-летнюю гарантию на всю свою продукцию.

Гарантия распространяется на все детали машины, в том числе электронные, кроме расходных материалов. Гарантия вступает в силу с даты установки оборудования.

Гарантия действует при соблюдении следующих ограничительных условий:

- Приобретение оборудования у аккредитованного дистрибьютора.
- Выполнение установки аккредитованным специалистом.
- Использование оборудования в соответствии с указаниями в руководстве по эксплуатации и по назначению, предусмотренному при производстве.
- Ежедневное обслуживание оборудования в соответствии с указаниями в руководстве по эксплуатации.
- Выполнение технического обслуживания аккредитованным специалистом в соответствии с требованиями по техническому обслуживанию не реже одного раза в год (производится за счет пользователя).
- Использование исключительно оригинальных деталей компании JAC.



При отсутствии контроля технического обслуживания со стороны аккредитованного специалиста и (или) в случае неправильного ведения журнала технического обслуживания действие гарантии ограничивается одним годом.

Гарантия не распространяется:

- На замену расходных материалов (§9).
- На детали, признанные неисправными не нашей компанией.

- На проблемы, возникшие вследствие неправильной эксплуатации оборудования.
- На проблемы, возникшие вследствие установки машины не аккредитованным специалистом.
- На детали или проблемы, связанные с нанесением ущерба во время транспортировки или ненадлежащим обращением при погрузочно-разгрузочных работах.

Ремонт и (или) замена неисправных деталей, выполненные в течение гарантийного периода, не могут послужить причиной продления данной гарантии.

3 ПРЕДУПРЕЖДЕНИЯ

Настоящее руководство следует сохранить для получения справочной информации при дальнейшей эксплуатации машины. В случае продажи или передачи машины другому лицу следует удостовериться, что руководство по эксплуатации передается вместе с ней, чтобы пользователь мог получить информацию о ее работе и связанных с ней предупреждениях.



Предупреждения изложены для обеспечения вашей безопасности и безопасности других лиц. Просим вас внимательно прочесть эти предупреждения перед установкой и эксплуатацией машины.

Машина разработана для использования совершеннолетними лицами с соответствующим разрешением. Поэтому нужно следить за тем, чтобы дети не прикасались к машине и не использовали ее в качестве игрушки.

Машина предназначена исключительно для использования в рабочих целях.

Опасно вносить изменения в характеристики машины или предпринимать соответствующие попытки.

После установки машины убедитесь в том, что она не стоит на кабеле электроснабжения.

Соблюдайте данные инструкции по эксплуатации.

Машина должна храниться и использоваться в помещении, защищенном от сырости и жары.

Машина должна быть достаточно освещена для выполнения работы.

Уровень шума машины ниже 75 дБ(А) согласно стандарту EN ISO 3744.

Машина не должна использоваться несколькими операторами параллельно (если не предписано иное).



Всегда отключайте машину от сети электропитания перед выполнением чистки внутренних/внешних поверхностей и операций по техническому обслуживанию.

Машина тяжелая. Принимайте все необходимые меры предосторожности при транспортировке и погрузочно-разгрузочных работах.

4 ТЕХНИЧЕСКИЕ ХАРАКТЕРИСТИКИ

4.1 Технические характеристики

	HF
Минимальный/максимальный вес тестовых заготовок (г)	50/1300
Максимальный темп производства (шт./ч)	1800
Мощность мотора (кВт)	0,37
Тип мотора	Трехфазный
Высота x ширина x глубина	540 x 956 x 1145
Масса нетто (кг)	180

Лента для багета с острыми концами	опция
Входные направляющие	опция
Выводящая лента TRF20	опция
Выводящая лента TRF30	опция
Стандартная подставка на колесиках	опция
Подставка с креплением для размещения продукции	опция
Модуль для предварительного вытягивания тестозаготовок	опция
Автономный посыпающий муку	опция
Подающая лента	опция

4.2 Подробности о материалах, находящихся в непосредственном контакте с тестом.

Лоток подачи: НЕРЖ. 304L.

Раскаточный валик: белый пищевой полиэтилентерефталат

Резец скребка: Lucoflex

Лента для скручивания тестовых заготовок: звенья из нержавеющей стали

Лента для вытягивания тестовых заготовок: шерсть/синтетика

Стационарная лента для вытягивания тестовых заготовок: Шерсть

Подающая лента: синтетическая сетка ARCOT.

5 УСТАНОВКА И ВВОД В ЭКСПЛУАТАЦИЮ

5.1 Распаковка машины

Машины из наших цехов поставляются на поддонах, закрепленные ремнями и в защитной картонной коробке. Прежде всего следует осмотреть упаковку на предмет наличия повреждений, полученных во время транспортировки, и сообщить о них непосредственно экспедитору.

А. Удалите картонную коробку машины.

- B. Снимите ремни, обратив особое внимание на их ослабление при разрезании.
- C. Открепите машину от поддона.
- D. Установите машину на ножки (только в случае настольного монтажа) (fig.15, n°24).
- E. В случае монтажа на подставке снимите нижние правую и левую дверцы, чтобы получить доступ к ножкам, снимите их и замените винтами, предусмотренными для подставки (fig.16).

После распаковки машины убедитесь, что она не подвергалась повреждениям во время транспортировки. Сообщайте нам о любых дефектах.

5.2 Место установки

Для обеспечения долгосрочной высокой производительности и надежности машины следует правильно выбрать место установки.

Оно должно быть хорошо проветриваемым, защищенным от воздействия прямых солнечных лучей, удаленным от источников тепла, с ровной и прочной поверхностью, не подвергающейся вибрации.

5.3 Электрическое подключение

ВАЖНО! Обязательно наличие заземления.

Рекомендуется защитить электрическую установку с помощью плавкого предохранителя и дифференциального автоматического выключателя.

Электрическая установка, обеспечивающая питание машины, должна быть защищена следующим образом:

- Северная Америка: защита 15 А.
- Остальные страны: защита 16 А.

Машины, оборудованные регулятором скорости, обязательно должны подключаться к разветвительной коробке на линии с дифференциальным автоматом 300 мА.

Примечание. Любые проблемы, возникшие в связи с иным видом подключения, не будут покрываться гарантией.

Перед подключением машины к электросети и во избежание выхода мотора из строя в момент подключения следует убедиться в соответствии электросети характеристикам машины (см. заводской щиток).

Машина соответствует директивам о безопасности машин и оборудования 2006/42, 2006/95, 2004/108 и имеет подтверждающую маркировку ЕС.

Ознакомьтесь с пиктограммами техники безопасности, имеющимися на машине.



Пиктограмма, предупреждающая об опасности поражения электрическим током. Отключите машину от электросети перед выполнением любых работ. Пиктограмма находится на панели управления, используемой в качестве отсека электрощитка. (fig.9, n°23)

Электросхема машины находится внутри отсека электрощитка (fig.9, n°23).

5.4 Ввод в эксплуатацию

Перед вводом в эксплуатацию убедитесь в отсутствии любых посторонних предметов на подвижных частях машины.

После проверки соответствия электрических характеристик в первую очередь убедитесь в том, что мотор вращается в правильном направлении. Для этого подтолкните вверх и проверьте переднюю нижнюю ленту камеры.

Если мотор вращается в неправильном направлении, немедленно отключите машину и поменяйте местами два провода фазы на разъеме.

Для получения ответов на все вопросы, касающиеся эксплуатации машины, см. раздел «Эксплуатация».

5.5 Опасность

В случае возникновения опасности для пользователя или для машины следует отключить электропитание с помощью главного выключателя.

Не приближайтесь к люлькам, когда они находятся в движении.

Извлеките штекер из электрической розетки перед выполнением любых операций по техническому или периодическому обслуживанию.

Все операции по техническому обслуживанию или замене деталей должны осуществляться аккредитованным специалистом.

6 ОРГАНЫ УПРАВЛЕНИЯ И ПРЕДОХРАНИТЕЛЬНЫЕ УСТРОЙСТВА

6.1 Органы управления

Машина серийно оборудована механическим пультом управления (fig.3).

6.2 Рабочая зона

Зона регулировки находится перед отводящей лентой машины (fig.2, n°6).

6.3 Предохранительные устройства

Машина оборудована следующими предохранительными устройствами:

— Рычажным выключателем (fig.7, n°17), прекращающим работу машины, если потянуть вперед загрузочный лоток.

— Магнитным кодированным выключателем (fig.7, n°18), препятствующим включению машины, если открыт передний кожух.

— Кнопкой аварийного останова (fig.3, n°7).

— В случае наличия опции подающей ленты — магнитным кодированным выключателем (fig.8, n°19), прекращающим работу машины, если приподнять защитную крышку (fig.8, n°20).



Предварительные настройки

Приведенная выше таблица содержит указания по выполнению предварительных настроек. Тем не менее следует принимать во внимание тип теста и нужную формовку. Поэтому зачастую необходимо сделать несколько проб, чтобы понять соотношения, существующие при разных настройках.

Например, вследствие недостаточного раскатывания или слишком плотного вытягивания тестовая заготовка приобретает плохой внешний вид.

Раскатывание осуществляется с помощью верхнего колесика (fig.3, n°8) (поверните его по часовой стрелке для сжатия валиков).

Вытягивание осуществляется с помощью нижнего колесика (fig.3, n°12) (поверните его по часовой стрелке для сжатия вытягивающей пластины).

	Раскатывание	Вытягивание
Багет 300 г	19	11.5
Короткая буханка 300 г	19	15
Длинная буханка 400 г	18	17
Буханка 520 г	18	14
Короткая буханка 800 г	16	15
Длинная буханка 1,8 кг	14	12
Короткая буханка 1,8 кг	16	8
Маленькая длинная буханка 50 г	12	15.5

Конечное качество формовки зависит не только от настроек, но в том числе и от следующих факторов:

- Готовности теста к правильной формовке (достаточная, но не чрезмерная отлежка, умеренная «сила» и т. п.).
- Правильной формы тестовой заготовки и ее правильной подачи.

ПРИМЕЧАНИЕ.

Для выполнения формовки и вытягивания в надлежащих условиях необходимо посыпать мукой:

- Ленту камеры.
- Ленту для вытягивания тестовых заготовок.

А. Поверните на 1/4 оборота вправо большую нажимную кнопку (аварийный останов), если она не включена (fig.10).

В. Нажмите на кнопку «ПУСК» для запуска машины (fig.11).

С. Вставьте тестовые заготовки в безопасный лоток подачи (fig.12).

Д. Заберите тестовые заготовки, прошедшие формовку, с ленты приемки (fig.13).

Е. Нажмите на кнопку «СТОП» для остановки машины (fig.14).



Из соображений пищевой гигиены запрещено повторное использование в пищевой цепи теста и муки, остающихся на машине или снаружи.

8 ТЕХНИЧЕСКОЕ ОБСЛУЖИВАНИЕ

8.1 Ежедневное, выполняется пользователем, прошедшим подготовку.

По окончании работы почистите машину во избежание накопления муки, которая помешать исправной работе.

Приподнимите край ленты скручивания и при необходимости почистите ленту щеткой (**для выполнения этой операции запрещено использовать металлический скребок для теста**). Максимально открутите колесико регулировки вытягивания (fig.3, n°12) для облегчения сушки лент с помощью циркуляции воздуха.

В случае чрезмерной влажности демонтируйте все элементы ленты для вытягивания тестовых заготовок.

8.2 Еженедельное, выполняется пользователем, прошедшим подготовку.

Снимите и почистите скребки раскаточных валиков следующим образом (операцию следует выполнять при выключенной машине):

- A. Открыть переднюю крышку и снять ее с помощью двух защелок (fig.4, n°14).
- B. Максимально раздвинуть раскаточные валики с помощью регулировочной ручки (fig.3, n°8).
- C. Потянуть вперед стационарный раскаточный скребок (fig.5, n°15) (в случае необходимости отсоединить правую и левую пружины).
- D. Почистите резец (убедитесь в отсутствии остатков теста).
- E. Установить скребок обратно, поместив концы в соответствующие держатели и зафиксировав пружины в пазах ограничительных упоров.
- F. Потянуть вперед стационарный раскаточный скребок (fig.6, n°16) (в случае необходимости отсоединить правую и левую пружины).
- G. Почистить резец (убедиться в отсутствии остатков теста).
- H. Установить скребок обратно, поместив концы в соответствующие держатели и зафиксировав пружины в пазах ограничительных упоров.

8.3 Полугодичное, выполняется аккредитованным специалистом.

Во время работы машины убедитесь в отсутствии посторонних звуков. Проверьте также центровку и натяжение ленты.

В случае необходимости выполните нужные настройки.

Принудительное выключение машины.

Проверьте состояние и натяжение цепи (смажьте в случае необходимости).

Удостоверьтесь в исправности колесиков регулировки раскатывания и вытягивания.

В случае необходимости смажьте винты.

Проверьте выравнивание винта и подшипников.



Проверьте состояние ленты (недостаточную толщину легко определить на ощупь).

Проверьте исправность ленты для вытягивания тестовых заготовок.

9 РАСХОДНЫЕ МАТЕРИАЛЫ

При заказе запасной части проверьте вместе с аккредитованным специалистом, о какой детали идет речь, по каталогу запасных частей, выпускаемому производителем. Всегда уточняйте номер машины, указанный на заводском щитке. Заказ в компании JAC может разместить ваш аккредитованный специалист.

9.1 Список РАСХОДНЫХ МАТЕРИАЛОВ

ITEM CODE	NEW DESCRIPTION	MODEL
F4505003	WOOLTOP BOX BELT	ALL
F4505003L	WOOL BOX BELT	ALL
F5440095	ELONGATION BELT	ALL
F5408011	CHAIN MESH BELT	ALL
F5442003	SCRAPER BLADE	ALL
F5442007	RH SCRAPER SPRING	ALL
F5442008	LH SCRAPER SPRING	ALL
F54700001	FEED BELT	ALL
F5412009L	PRE-ELONGATION BELT	ALL

10 НЕПОЛАДКИ В РАБОТЕ

ВНИМАНИЕ! Перед выполнением любых ремонтных работ машина должна быть отключена от электроснабжения.

Проблема	Проверка
Машина не запускается	Проверить общее питание и питание двигателя. Проверить предохранительные устройства (кнопки аварийного останова, безопасного лотка, передней крышки). Проверить предохранительное устройство защитной крышки (опция подающей ленты).
Мотор гудит, но не запускается	Проверить наличие фазы в электроцепи. Проверить питание двигателя.
Продукты на выходе ленты для вытягивания тестовых заготовок разорваны и имеют непрезентабельный вид.	Проверить натяжение ленты. Проверить состояние и чистоту скребков. Проверить отсутствие корки на лентах. Проверить чистоту войлока (опция багета с острыми концами). Проверить настройки вытягивания и раскатывания.



Если проблема не устраняется, обратитесь к вашему техническому специалисту.

11 СПИСОК КОМПЛЕКТУЮЩИХ НА ИЗОБРАЖЕНИЯХ

Изображение	Номер	Название
1	1	Безопасный лоток подачи
	2	Лента приемки
	3	Полка приемки
	4	Совокупность элементов тяжелой ленты
	5	Мотор
2	6	Рабочая зона
3	7	Кнопка аварийного останова
	8	Регулировка раскатывания
	9	Индикатор раскатывания
	10	Кнопка «ПУСК»
	11	Кнопка «СТОП»
	12	Регулировка вытягивания
	13	Индикатор вытягивания
4	14	Передняя крышка
5	15	Регулируемый скребок валика
6	16	Неподвижный скребок валика
7	17	Рычажный выключатель
	18	Магнитный кодированный выключатель
8	19	Магнитный кодированный выключатель
	20	Защитная крышка (опция подающей ленты).
	21	Посыпатель муки (опция)
9	22	Пиктограмма, предупреждающая об опасности поражения электрическим током.
	23	Электросхема
15	24	Регулируемые ножки (только для настольного монтажа)

1	ANTES DE LA PUESTA EN SERVICIO.....	58
2	GARANTÍA	58
3	ADVERTENCIAS.....	59
4	CARACTERÍSTICAS TÉCNICAS.....	60
4.1	Características técnicas.....	60
4.2	Detalle de materiales en contacto directo con la masa.....	60
5	INSTALACIÓN Y PUESTA EN SERVICIO.....	60
5.1	Desembalaje de la máquina:.....	60
5.2	Ubicación:	61
5.3	Conexión eléctrica:.....	61
5.4	Puesta en servicio:.....	61
5.5	Peligro:	62
6	CUADRO DE CONTROL Y DE SEGURIDAD.....	62
6.1	Cuadro de control:.....	62
6.2	Área de trabajo:	62
6.3	Cuadro de seguridad:.....	62
7	USO.....	63
8	LIMPIEZA.....	64
8.1	Diaria por un usuario formado.....	64
8.2	Semanal por un usuario formado.....	64
8.3	Semestral por un agente autorizado.....	64
9	CONSUMIBLES.....	65
9.1	Lista de CONSUMIBLES.....	65
10	INCIDENTES DE FUNCIONAMIENTO	66
11	LISTA DE COMPONENTES DE LAS FIGURAS.....	67

1 ANTES DE LA PUESTA EN SERVICIO

Gracias por elegir una solución JAC. Lea con atención este manual de uso antes de instalar y poner en servicio esta máquina. De esta forma, usted puede protegerse y evitar el deterioro de su máquina.

Este manual hace referencia a distintas figuras con el fin de facilitar la comprensión de las instrucciones. Estas figuras se encuentran al final del manual. Consúltelas cuando vea los siguientes símbolos: fig.X, n°Y.

Para que el funcionamiento de su máquina sea satisfactorio a lo largo de los próximos años, le invitamos a que lea los siguientes consejos:

- Solicite ayuda a su agente autorizado para la instalación, la puesta en servicio y el seguimiento.
- Para poder beneficiarse de la garantía de 5 años (consulte las condiciones recogidas a continuación), solicite a su distribuidor que complete la tarjeta de mantenimiento al instalar su máquina. Esta tarjeta de mantenimiento se encuentra en la parte trasera de su máquina.

2 GARANTÍA



JAC ofrece una garantía de 5 años en todos sus productos.

Esta garantía es válida para todas las piezas de su máquina, incluidas las electrónicas, excluyendo los consumibles. La garantía entra en vigor a partir de la fecha de instalación del material.

Con las siguientes condiciones restrictivas:

- El material debe haberse adquirido a un revendedor autorizado.
- La instalación deberá efectuarla un agente autorizado.
- El material debe utilizarse conforme a las indicaciones del manual de uso y para la finalidad para la que ha sido fabricado.
- El mantenimiento diario del material debe efectuarse conforme a las indicaciones del manual de uso.
- El agente autorizado debe hacer un seguimiento del mantenimiento conforme a las especificaciones de mantenimiento, como mínimo, una vez al año (mantenimiento a cargo del usuario).
- Deben utilizarse exclusivamente piezas originales JAC.



Si un agente autorizado no efectúa el seguimiento del mantenimiento y/o la tarjeta de mantenimiento no está cumplimentada correctamente, la garantía se limita a un año.

Esta garantía no cubre:

- La sustitución de consumibles (§9).
- Las piezas que nuestros servicios no reconozcan como defectuosas.
- Los problemas derivados de un uso anormal del material.
- Los problemas derivados de una instalación no efectuada por un agente autorizado.

- Las piezas o los problemas causados por daños en el transporte o por un mantenimiento inadecuado.

Una reparación y/o una sustitución de piezas defectuosas efectuadas durante el periodo de garantía no supondrá la prolongación de dicha garantía.

3 ADVERTENCIAS

Es muy importante conservar este manual de uso junto con el aparato para futuras consultas. Si este aparato se vende o se transfiere a otra persona, asegúrese de que se le entrega también el manual de uso para que el usuario pueda estar informado de su funcionamiento y de las advertencias que se recogen aquí.



Estas advertencias se dan por su seguridad y la de los demás. Le rogamos que las lea con atención antes de instalar y utilizar el aparato.

Esta máquina está diseñada para su uso por adultos autorizados. Asegúrese de que los niños no la toquen o que no la usen como un juguete.

Esta máquina está destinada únicamente a un uso profesional.

Es peligroso modificar o intentar modificar las características de esta máquina.

Después de instalar la máquina, asegúrese de que no aplasta el cable de alimentación.

Siga las instrucciones de uso.

Esta máquina debe almacenarse y utilizarse dentro de un local, protegida de la humedad y del calor.

Esta máquina debe estar suficientemente iluminada para efectuar el trabajo.

Esta máquina tiene un nivel sonoro inferior a 75 dB(A) según la norma EN ISO 3744.

Esta máquina debe utilizarla una sola persona a la vez (salvo indicación contraria).



Desconecte siempre la toma de corriente antes de proceder a la limpieza interior y exterior del aparato y a las operaciones de mantenimiento.

Este aparato es pesado. Tome todas las precauciones de seguridad durante su mantenimiento.

4 CARACTERÍSTICAS TÉCNICAS

4.1 Características técnicas

	HF
Peso mín./máx. de los pastones en g	50/1300
Cadencia máxima piezas/hora	1800
Potencia del motor (kW)	0,37
Tipo de motor	Trifásico
Altura x Anchura x Profundidad	540 x 956 x 1145
Peso neto (k)	180

Cinta de puntas	Opcional
Guías de entrada	Opcional
Cinta de evacuación TRF20	Opcional
Cinta de evacuación TRF30	Opcional
Zócalo estándar sobre ruedas	Opcional
Zócalo con compartimentos	Opcional
Módulo de preestiramiento	Opcional
Harinadora autónoma	Opcional
Cinta de alimentación	Opcional

4.2 Detalle de materiales en contacto directo con la masa.

Canaleta: INOX 304L.

Cilindro de laminación: PETP alimentario blanco

Cuchilla del rascador: Lucoflex

Cinta de enrollamiento: Mallas de acero inoxidable

Cinta de estiramiento: Lana / Material sintético

Cinta de estiramiento fija: Lana

Cinta de alimentación: Tela sintética ARCOT

5 INSTALACIÓN Y PUESTA EN SERVICIO

5.1 Desembalaje de la máquina:

Las máquinas que salen de nuestros talleres se entregan en palés atados y protegidos con cartón. Antes de realizar cualquier acción, debe observarse el embalaje e informar al transportista de cualquier daño debido al transporte.

- A. Quite el cartón de la máquina.
- B. Quite las cinchas prestando especial atención a su distensión al seccionarlas.
- C. Separe la máquina de su palé.
- D. Monte la máquina con las patas (únicamente para montarla en una mesa) (fig.15, n°24).
- E. Para montarla sobre un zócalo, quite las puertas inferiores derecha e izquierda para tener acceso a las patas, quítelas y sustitúyalas por los tornillos incluidos con el zócalo (fig.16).



Después de desembalar su máquina, compruebe que no ha sufrido daños durante el transporte. Infórmenos de cualquier anomalía.

5.2 Ubicación:

Para obtener un rendimiento excelente y una fiabilidad a largo plazo, elija una ubicación que esté:

Bien ventilada, protegida de los rayos directos del sol y alejada de fuentes de calor, con una superficie plana y robusta y sin vibraciones.

5.3 Conexión eléctrica:

IMPORTANTE: La toma de tierra es obligatoria.

Es aconsejable proteger la instalación con un fusible y un disyuntor diferencial.

La instalación eléctrica que suministra energía a la máquina debe estar protegida tal y como se indica a continuación:

- América del Norte: Protección 15 A.

- Resto del mundo: Protección 16 A.

Las máquinas equipadas con un variador deben estar conectadas obligatoriamente a una caja de derivación en una línea equipada con un diferencial de 300 mA.

Nota: La garantía no cubrirá cualquier problema ocasionado por una conexión de otro tipo.

Antes de conectar su máquina a la red y con el fin de evitar una avería del motor al encenderla, es importante comprobar la adecuación de la red de alimentación a las características de la máquina (consulte la placa informativa de la máquina).

Este aparato cumple con las directivas sobre máquinas 2006/42, 2006/95 y 2004/108 y lleva el marcado CE que lo certifica.

Consulte los pictogramas de seguridad que figuran en la máquina:



Pictograma que indica un riesgo de electrocución. Desconecte la máquina antes de cualquier intervención en esta. Lo encontrará en el cuadro de control, que funciona como caja eléctrica (fig.9, n°23).

Encontrará el esquema eléctrico de la máquina dentro de la caja eléctrica (fig.9, n°23).

5.4 Puesta en servicio:

Antes de la puesta en servicio, asegúrese de que no queda ningún objeto sobrante en las partes en movimiento de la máquina.

En primer lugar, y después de comprobar que la toma de corriente se ajusta a las características eléctricas de la máquina, asegúrese de que el motor gira en el sentido correcto. Para ello, aplique un impulso y compruebe que la cinta de la caja delantera se ha movido hacia arriba. Si no es así, desconecte inmediatamente e invierta dos cables de fase en la toma.

Para utilizar la máquina, consulte el apartado «Uso».

5.5 **Peligro:**

En caso de peligro para el usuario o para la máquina, debe utilizar el interruptor general para cortar la alimentación de la máquina.

No se acerque a los distribuidores cuando estén en movimiento.

Quite el enchufe de la toma de corriente antes de efectuar cualquier operación de mantenimiento y de limpieza.

Cualquier operación de mantenimiento o de sustitución de piezas debe efectuarla un agente autorizado.

6 CUADRO DE CONTROL Y DE SEGURIDAD

6.1 **Cuadro de control:**

Su máquina está equipada de serie con un pupitre de control mecánico (fig.3).

6.2 **Área de trabajo:**

El área de trabajo está situada delante de la cinta de salida de la máquina (fig.2, n°6).

6.3 **Cuadro de seguridad:**

Esta máquina está equipada con diversos mecanismos de seguridad:

- Un interruptor de palanca (fig.7, n°17) que detiene el funcionamiento al tirar de la canaleta hacia adelante.
- Un interruptor magnético codificado (fig.7, n°18) que impide la puesta en marcha si el cárter delantero está abierto.
- Un botón de detención de emergencia (fig.3, n°7).
- En las versiones con cinta de alimentación (opcional), un interruptor magnético codificado (fig.8, n°19) que detiene el funcionamiento al levantar la tapa de protección (fig.8, n°20).

Ajustes previos:

La siguiente tabla proporciona indicaciones para realizar los ajustes. No obstante, es necesario tener en cuenta el tipo de masa y el moldeado que se desea obtener. Por tanto, a menudo es necesario tantear y es imprescindible tener en cuenta la relación que existe entre cada uno de los ajustes. Por ejemplo, una laminación insuficiente o un estiramiento demasiado ajustado dará un pastón de mal aspecto.

La laminación se efectúa con la llave superior (fig.3, n°8) (girar en el sentido de las agujas del reloj ajusta los rodillos).

El estiramiento se efectúa con la llave inferior (fig.3, n°12) (girar en el sentido de las agujas del reloj ajusta la placa de estiramiento).

	Laminación	Estiramiento
Baguette de 300 g	19	11,5
Pan corto 300 g	19	15
Pan largo 400 g	18	17
Pan 520 g	18	14
Pan corto 800 g	16	15
Pan largo 1,8 k	14	12
Pan corto 1,8 k	16	8
Panecillo largo 50 g	12	15,5

El resultado cualitativo del moldeado depende de los ajustes y también de, entre otros:

- La aptitud de la masa a moldearse bien (con un reposo suficiente pero no excesivo, «fuerza» no excesiva, etc.).
- La forma regular del pastón y su correcta presentación.

NOTA:

Para que el moldeado y el estiramiento se lleven a cabo en buenas condiciones, es imprescindible harinar:

- La cinta de la caja.
- La cinta de estiramiento.

A. Gire 1/4 de vuelta hacia la derecha el botón de parada de emergencia si no está accionado (fig.10).

B. Pulse el botón ENCENDER para encender la máquina (fig.11).

C. Introduzca los pastones en la canaleta de entrada con seguridad (fig.12).

D. Recoja los pastones moldeados en la cinta de recepción (fig.13).

E. Pulse el botón DETENER para detener la máquina (fig.14).



Por motivos de higiene alimenticia, no debe utilizarse o devolver a la cadena alimenticia la masa o la harina que se encuentre en la parte superior de la máquina o fuera de ella.

8.1 Diaria por un usuario formado.

Al final del trabajo, limpie la máquina para evitar una acumulación de harina que pueda perjudicar su correcto funcionamiento.

Alce la cinta de enrollamiento y, si es necesario, cepille las cintas (**no utilice un cortamasa metálico para esta operación**).

Abra el ajuste del estiramiento (fig.3, n°12) al máximo para facilitar el secado de las cintas mediante la circulación de aire.

Si la humedad es excesiva, desmonte toda la cinta de estiramiento.

8.2 Semanal por un usuario formado.

Quite y limpie los rascadores de los cilindros de laminación de la siguiente manera: (esta operación se debe efectuar con la máquina apagada)

A. Abra la tapa de la parte frontal y retírela con ayuda de los dos cierres (fig.4, n°14).

B. Aparte lo máximo posible los rodillos de laminación con la manivela de ajuste (fig.3, n°8).

C. Tire hacia adelante el rascador de laminación fijo (fig.5, n°15) (si es necesario, desenganche los muelles derecho e izquierdo).

D. Limpie la cuchilla (compruebe que no hay ningún residuo de masa).

E. Vuelva a montar el rascador colocando cada extremo en los soportes procurando mantener cada muelle en la entrada de su tope.

F. Tire hacia adelante el rascador de laminación ajustable (fig.6, n°16) (si es necesario, desenganche los muelles derecho e izquierdo).

G. Limpie la cuchilla (compruebe que no hay ningún residuo de masa).

H. Vuelva a montar el rascador colocando cada extremo en los soportes procurando mantener cada muelle en la entrada de su tope.

8.3 Semestral por un agente autorizado.

Cuando la máquina está en funcionamiento, asegúrese de que no produce ningún ruido anormal.

Compruebe al mismo tiempo que la cinta está bien centrada y correctamente tensada.

Si es necesario, realice los ajustes pertinentes.

La máquina debe estar detenida obligatoriamente.

Compruebe el estado y la tensión de la cadena (engrase si es necesario).

Asegúrese del correcto funcionamiento de las llaves de ajuste de laminación y estiramiento.

Engrase los tornillos si es necesario.

Asegúrese de que el tornillo y los cojinetes están bien alineados.

Compruebe que la cinta está en buen estado (solo con tocar es fácil saber cuándo el grosor se vuelve crítico).

Compruebe que la cinta de estiramiento está en buen estado.

9 CONSUMIBLES

Al pedir una pieza de recambio, compruebe con su agente autorizado de qué pieza se trata con base en el catálogo de piezas de recambio del fabricante.

Indique siempre el número de máquina tal y como se indica en la placa informativa.

Su agente efectuará el pedido a JAC.

9.1 Lista de CONSUMIBLES

REFERENCIA	NUEVA ETIQUETA	MODELO
F4505003	GUÍA DE CAJA WOOLTOP	TODAS
F4505003L	GUÍA DE CAJA DE LANA	TODAS
F5440095	CINTA DE ESTIRAMIENTO	TODAS
F5408011	CINTA DE COTA DE MALLA	TODAS
F5442003	CUCHILLA DEL RASCADOR	TODAS
F5442007	MUELLE DEL RASCADOR DERECHO	TODAS
F5442008	MUELLE DEL RASCADOR IZQUIERDO	TODAS
F54700001	GUÍA DE ALIMENTACIÓN	TODAS
F5412009L	CINTA DE PREESTIRAMIENTO	TODAS

10 INCIDENTES DE FUNCIONAMIENTO

ATENCIÓN: Para cualquier intervención, la máquina deberá estar desenchufada obligatoriamente.

Problema	Comprobación
La máquina no se pone en funcionamiento	Compruebe la alimentación general y del motor. Compruebe los componentes de seguridad (botón de detención de emergencia, seguridad de la canaleta y seguridad de la tapa frontal). Compruebe la seguridad de la tapa de protección (en máquinas con cinta de alimentación).
El motor hace ruido pero no empieza a funcionar	Compruebe si falta una fase en el circuito eléctrico. Compruebe la alimentación del motor.
Los productos que salen del estiramiento están rotos y no tienen buen aspecto	Compruebe la tensión de la cinta. Compruebe el aspecto y la limpieza de los rascadores. Compruebe que no hay restos de masa en las cintas. Compruebe que el fieltro está limpio (en máquinas con puntas). Compruebe los ajustes de estiramiento y de laminación.



Si el problema persiste, póngase en contacto con su técnico.

11 LISTA DE COMPONENTES DE LAS FIGURAS

Figura	Número	Nombre
1	1	Canaleta segura de entrada
	2	Cinta de recepción
	3	Tabla de recepción
	4	Conjunto cinta pesada
	5	Motorización
2	6	Área de trabajo
3	7	Botón de detención de emergencia
	8	Ajuste de laminación
	9	Indicador de laminación
	10	Botón de puesta en marcha
	11	Botón de detención
	12	Ajuste de estiramiento
4	13	Indicador de estiramiento
	14	Tapa frontal
5	15	Rascador del rodillo ajustable
6	16	Rascador del rodillo fijo
7	17	Interruptor de palanca
	18	Interruptor magnético codificado
8	19	Interruptor magnético codificado
	20	Tapa de protección (en máquinas con cinta de alimentación)
	21	Harinador (opcional)
9	22	Pictograma que indica un riesgo de electrocución
	23	Esquema eléctrico
15	24	Pies ajustables (únicamente sobre una mesa)

1	ANTES DE LA PUESTA EN SERVICIO.....	58
2	GARANTÍA	58
3	ADVERTENCIAS.....	59
4	CARACTERÍSTICAS TÉCNICAS.....	60
4.1	Características técnicas.....	60
4.2	Detalle de materiales en contacto directo con la masa.....	60
5	INSTALACIÓN Y PUESTA EN SERVICIO.....	60
5.1	Desembalaje de la máquina:.....	60
5.2	Ubicación:	61
5.3	Conexión eléctrica:.....	61
5.4	Puesta en servicio:.....	61
5.5	Peligro:	62
6	CUADRO DE CONTROL Y DE SEGURIDAD.....	62
6.1	Cuadro de control:.....	62
6.2	Área de trabajo:	62
6.3	Cuadro de seguridad:.....	62
7	USO.....	63
8	LIMPIEZA.....	64
8.1	Diaria por un usuario formado.....	64
8.2	Semanal por un usuario formado.....	64
8.3	Semestral por un agente autorizado.....	64
9	CONSUMIBLES.....	65
9.1	Lista de CONSUMIBLES.....	65
10	INCIDENTES DE FUNCIONAMIENTO	66
11	LISTA DE COMPONENTES DE LAS FIGURAS.....	67

1 PRIMA DELLA MESSA IN FUNZIONE

Grazie per aver scelto una soluzione JAC. Si invita a leggere con attenzione queste note informative prima di procedere all'installazione e alla messa in servizio di questa macchina. Contengono informazioni su come proteggersi e come evitare il deterioramento della macchina.

Queste informazioni fanno riferimento a diverse figure, in modo da facilitare la comprensione delle istruzioni. Le figure si trovano al fondo delle informazioni. Si invita a farvi riferimento quando si incontrano i seguenti simboli (fig. X, n. Y).

Per una totale soddisfazione dall'utilizzo della macchina nei prossimi anni, si invita a tenere presenti i seguenti consigli:

- Farsi aiutare dal tecnico autorizzato per l'installazione, la messa in servizio e il follow-up.
- Per beneficiare della garanzia di 5 anni (vedere le condizioni riportate in seguito), far compilare dal distributore, il libretto di manutenzione al momento dell'installazione della macchina. Il libretto di manutenzione si trova nella parte posteriore della macchina.

2 GARANZIA



JAC offre una garanzia di 5 anni su tutti i suoi prodotti.

Questa garanzia è valida su tutte le parti della macchina, comprese quelle elettroniche, a parte i componenti di consumo. La garanzia entra in vigore a partire dalla data di installazione del materiale.

Secondo le seguenti condizioni restrittive:

- Materiale acquistato presso un rivenditore autorizzato.
- Installazione effettuata da un tecnico autorizzato.
- Utilizzo del materiale conformemente alle indicazioni sul modo di utilizzo e nel rispetto della finalità per la quale è stato fabbricato.
- Materiale quotidianamente mantenuto nel rispetto delle indicazioni delle modalità di utilizzo.
- Manutenzioni successive da parte del tecnico autorizzato conformemente alle specifiche di manutenzione con, al minimo, una manutenzione l'anno (manutenzione a carico dell'utente).
- L'utilizzo esclusivo di parti originali JAC.



Se non si eseguono interventi di manutenzione da parte di un tecnico autorizzato e/o il libretto di manutenzione non è correttamente completato, la garanzia si limita ad un anno.

Questa garanzia non copre:

- La sostituzione dei componenti di consumo (§9).
- Le parti non riconosciute difettose dai nostri servizi.
- I problemi derivanti da un utilizzo anomalo del materiale.
- I problemi derivanti da un'installazione non effettuata da un tecnico autorizzato.

- Le parti o i problemi derivanti da un danno di trasporto o da una manutenzione inadeguata.

Una riparazione e/o una sostituzione di parti difettose effettuate durante il periodo di garanzia non producono l'effetto di prolungare detta garanzia.

3 AVVERTENZE

È molto importante che le istruzioni per l'utilizzo siano conservate con l'apparecchio per ogni consultazione futura. Se questo macchinario deve essere venduto o trasferito ad un'altra persona, accertarsi che le istruzioni per l'utilizzo siano consegnate all'utente destinatario in modo che possa essere informato sul funzionamento e sui messaggi di avvertenza ad esso riferiti.



Tali avvertenze sono fornite per la vostra sicurezza e per quella altrui. Si prega di leggerle con attenzione prima di installare e utilizzare il macchinario.

Questa macchina è stata progettata per essere utilizzata da adulti autorizzati. Accertarsi quindi che i bambini non le si avvicinino e che non la utilizzino come un giocattolo.

Questa macchina è destinata unicamente ad un uso professionale.

È pericoloso modificare o provare a modificare le caratteristiche di questa macchina.

Accertarsi dopo averla installata, che non appoggi sul cavo di alimentazione.

Seguire le istruzioni fornite per l'utilizzo.

Questa macchina deve essere sistemata e utilizzata all'interno di un locale, al riparo da umidità e calore.

Deve essere illuminata a sufficienza per poter funzionare.

La macchina produce un livello di rumore inferiore a 75 dB(A), conforme alla norma EN ISO 3744.

La macchina deve essere utilizzata da una sola persona per volta (salvo prescrizioni contrarie).



Staccare sempre il cavo di alimentazione prima di procedere alla pulizia interna/esterna del macchinario e alle operazioni di manutenzione.

Questo macchinario è pesante. Adottare tutte le precauzioni di sicurezza al momento della manutenzione.

4 CARATTERISTICHE TECNICHE

4.1 Caratteristiche tecniche

	HF
Peso minimo/massimo degli impasti in gr	50/1300
Ritmo massimo in pezzi/ora	1800
Potenza motore (kW)	00:37
Tipo di motore	Trifase
Lunghezza x larghezza x profondità	540 x 956 x 1145
Peso netto (kg)	180

Nastro estremità appuntite	opzionale
Guide d'entrata	opzionale
Nastro di uscita TRF20	opzionale
Nastro di uscita TRF30	opzionale
Base standard su rotelle	opzionale
Base con spazio portaoggetti	opzionale
Modulo pre-allungamento	opzionale
Infarinatore autonomo	opzionale
Nastro di alimentazione	opzionale

4.2 Dettaglio materiali in contatto con la pasta.

Scivolo: INOX 304L.

Cilindro di laminazione: PETP alimentare bianco

Lama raschiatore: Lucoflex

Nastro di scorrimento: Maglie in acciaio inox

Nastro di allungamento: Lana / Sintetico

Nastro di allungamento fisso: Lana

Nastro di alimentazione: Tela sintetica ARCOT.

5 INSTALLAZIONE E MESSA IN FUNZIONE

5.1 Disimballo della macchina:

Le macchine sono consegnate, franco fabbrica, su pallet, legate con cinghie e protette con pannelli di cartone. Prima di tutto, occorre esaminare l'imballaggio e ogni danno dovuto al trasporto deve essere dichiarato direttamente all'addetto alla consegna.

- A. Togliere il cartone dalla macchina.
- B. Togliere le cinghie facendo particolare attenzione allo sgancio di queste ultime durante il taglio.
- C. Staccare la macchina dal pallet.
- D. Montare la macchina sui suoi piedi (Solo per il montaggio su ripiano) (fig.15, n. 24).

E. Per un montaggio sulla base togliere le parti inferiori destra e sinistra per aver accesso ai piedi, toglierle e sostituirle con le viti previste con la base (fig. 16).

Dopo il disimballo della macchina, verificare che non abbia subito danni durante il trasporto. Segnalare ogni anomalia.

5.2 Posizionamento:

Per ottenere performance eccellenti e affidabilità a lungo termine, scegliere una posizione:

Ben ventilata, al riparo dai raggi solari diretti e lontano da fonti di calore, con una superficie piana, robusta e priva di vibrazioni.

5.3 Collegamento elettrico:

IMPORTANTE: Messa a terra obbligatoria.

Si consiglia di proteggere l'impianto con un fusibile e un salvavita.

L'impianto elettrico che alimenta la macchina deve essere protetto secondo quanto indicato qui di seguito:

- Nord America: Protezione 15 A;
- Resto del mondo: Protezione 16 A.

Le macchine dotate di variatore, devono necessariamente essere collegate ad una scatola di derivazione su di una linea dotata di salvavita da 300 mA.

Nota: Ogni problema derivante da un altro tipo di collegamento non sarà preso in considerazione ai fini della garanzia.

Prima di collegare la macchina alla rete e onde evitare una dismissione del motore all'avvio, è importante verificare la compatibilità della rete di alimentazione con le caratteristiche della macchina (vedere la relativa targa segnaletica).

Questo apparecchio è conforme alle direttive macchine 2006/42, 2006/95, 2004/108 e reca la marcatura CE che attesta detta conformità.

Si invita a prendere visione della segnaletica di sicurezza che figura sulla macchina:



Segnale che indica un rischio di folgorazione. Scollegare la macchina prima di eseguire qualsiasi intervento. Si trova sul pannello di comando che funge da quadro elettrico (fig.9, n. 23).

All'interno del quadro elettrico si trova lo schema elettrico della macchina.

5.4 Messa in servizio:

Prima della messa in servizio, accertarsi che non vi siano oggetti estranei sulle parti in movimento della macchina.

Accertarsi innanzitutto (dopo aver verificato le connessioni elettriche) che il motore giri nel senso corretto. Dare impulso e verificare che il nastro della scatola anteriore proceda in alto. Diversamente, scollegare immediatamente e invertire, nella presa, i due fili di fase.

Per l'utilizzo della macchina, fare riferimento al capitolo "Utilizzo".

5.5 Pericolo:

In caso di pericolo per l'utente o per la macchina, utilizzare l'interruttore generale per interrompere l'alimentazione della macchina.

Non avvicinarsi ai ripiani a bilanciere quando sono in movimento.

Estrarre la scheda della presa elettrica prima di ogni operazione di manutenzione o di assistenza.

Ogni operazione di manutenzione o sostituzione delle parti deve essere effettuata da un tecnico autorizzato.

6 ORGANO DI COMANDO E DI SICUREZZA

6.1 Organo di comando:

La macchina è dotata di serie di un quadro di comando meccanico (fig. 3).

6.2 Zona di lavoro:

La zona di lavoro si trova davanti al nastro di uscita della macchina (fig.2, n. 6).

6.3 Organi di sicurezza:

Questa macchina è dotata delle seguenti sicurezze:

- Di un interruttore a leva (fig.7, n. 17) che ferma il funzionamento se si tira lo scivolo in avanti.
- Di un interruttore magnetico codificato (fig.7, n. 18) che impedisce la messa in funzione se il carter anteriore è aperto.
- Di un pulsante di arresto d'emergenza (fig. 3, n. 7).
- Nelle versioni con Nastro di alimentazione (opzionale), di un interruttore magnetico codificato (fig.8, n. 19) che ferma il funzionamento se si solleva il coperchio di protezione (fig.8, n. 20).

Pre-regolazioni:

La tabella sopra riportata fornisce le indicazioni per effettuare le regolazioni. Tuttavia, occorre prendere in considerazione la natura dell'impasto e la formatura che si desidera ottenere. Una tastatura è quindi spesso necessaria ed è indispensabile tenere conto della relazione che esiste tra ciascuna delle regolazioni.

Ad esempio, una laminazione insufficiente o un allungamento troppo serrato conferiscono all'impasto un aspetto poco gradevole.

La laminazione si effettua con il rullo superiore (fig.3, n. 8) (Ruotare in senso orario per stringere i rulli).

L'allungamento a laminazione si effettua con il rullo superiore (fig3, n. 8) (Ruotare in senso orario per stringere i rulli).

	Laminazione	Allungamento
Baguette 300g	19	11.5
Pagnotta 300g	19	15
Ciabatta 400g	18	17
Pane 520g	18	14
Pagnotta 800g	16	15
Ciabatta 1.8kg	14	12
Pagnotta 1.8Kg	16	8
Sfilatino piccolo 50g	12	15.5

Il risultato qualitativo della formatura dipende dalle regolazioni, ma anche da altri fattori quali:

- La capacità dell'impasto ad essere formato correttamente (capacità di distensione sufficiente ma non eccessiva, "forza" senza eccedere...).
- La forma regolare dell'impasto e la sua buona presentazione.

OSSERVAZIONE:

Affinché la formatura e l'allungamento siano eseguiti in buone condizioni, è indispensabile infarinare:

- Il nastro della vasca.
- Il nastro di allungamento.

- A. Ruotare di 1/4 di giro verso destra il pulsante a fungo (arresto d'emergenza), se non è azionato (fig. 10).
- B. Premere il pulsante MARCHE (MARCIA), per alimentare la macchina (fig. 11).
- C. Inserire gli impasti nello scivolo protetto di ingresso (fig. 12).
- D. Recuperare gli impasti formati sul nastro di recupero (fig. 13).
- E. Premere il pulsante ARRET (ARRESTO), per fermare la macchina (fig. 14).



Per motivi di igiene alimentare, in nessun caso la pasta o la farina che si trovano sopra o fuori dalla macchina devono essere riutilizzate o rimesse nella catena alimentare.

8.1 Quotidiana da parte di un utilizzatore addestrato.

A fine lavoro, pulire la macchina per evitare l'accumulo di farina, che potrebbe nuocere al suo buon funzionamento.

Togliere la protezione di scorrimento e, se necessario, spazzolare i nastri (**per questa operazione non utilizzare coppapasta metallici**).

Aprire la regolazione di allungamento (fig.3, n. 12) al massimo, per facilitare l'asciugatura dei nastri mediante la circolazione dell'aria.

In caso di umidità eccessiva, smontare l'insieme dei nastri di allungamento.

8.2 Settimanale da parte di un utilizzatore addestrato.

Estrarre e pulire i raschiatori dei cilindri di laminazione nel seguente modo:
(Operazione da effettuarsi quando la macchina non è alimentata)

A. Aprire il coperchio anteriore ed estrarlo grazie ai due blocchi (fig4, n. 14).

B. Distanziare i rulli di laminazione al massimo attraverso la manopola di regolazione (fig.3, n. 8).

C. Tirare in avanti il raschiatore laminazione fisso (fig. 5, n. 15) (se necessario staccare le molle destra e sinistra).

D. Pulire la lama (verificare l'assenza di ogni residuo di pasta).

E. Rimontare il raschiatore ponendo ciascuna estremità nei relativi supporti, facendo attenzione a mantenere ciascuna delle molle nella relativa sede.

F. Tirare in avanti il raschiatore laminazione regolabile (fig. 6, n. 16) (se necessario staccare le molle destra e sinistra).

G. Pulire la lama (verificare l'assenza di ogni residuo di pasta).

H. Rimontare il raschiatore ponendo ciascuna estremità nei relativi supporti, facendo attenzione a mantenere ciascuna delle molle nella relativa sede.

8.3 Semestrale da parte di un tecnico addestrato.

Quando la macchina è in funzione, accertarsi che non vi siano rumori anomali. Verificare anche la corretta centratura e tensione del nastro.

Se occorre, effettuare le necessarie regolazioni.

Macchina necessariamente ferma.

Verificare lo stato e la tensione della cinghia (lubrificare se necessario).

Accertarsi del corretto funzionamento dei rulli di regolazione laminazione e allungamento.

Lubrificare le viti, se necessario.

Accertarsi del buon allineamento della vite e dei cuscinetti.

Verificare la buona condizione del nastro (semplicemente al tocco, è facile determinare se lo spessore diventa critico).

Controllare il buono stato del nastro di allungamento.

9 COMPONENTI DI CONSUMO

Al momento dell'ordine di parti di ricambio, verificare con il tecnico autorizzato di quale parte si tratta in base al catalogo delle parti di ricambio emesso dal fabbricante.

Precisare sempre il codice della macchina indicato sulla targa segnaletica.

Il tecnico effettua gli ordini presso JAC.

9.1 Elenco dei COMPONENTI DI CONSUMO

RIFERIMENTO	NUOVA DESCRIZIONE	MODELLO
F4505003	CURSORE VASCA WOOLTOP	TUTTE
F4505003L	CURSORE VASCA LANA	TUTTE
F5440095	NASTRO DI ALLUNGAMENTO	TUTTE
F5408011	NASTRO MAGLIA METALLICA	TUTTE
F5442003	LAMA RASCHIATORE	TUTTE
F5442007	MOLLA RASCHIATORE DESTRA	TUTTE
F5442008	MOLLA RASCHIATORE SINISTRA	TUTTE
F54700001	CURSORE ALIMENTAZIONE	TUTTE
F5412009L	NASTRO PREALLUNGATO	TUTTE

10 INCIDENTI DI FUNZIONAMENTO

ATTENZIONE: Per ogni intervento, la macchina deve obbligatoriamente essere scollegata dall'alimentazione.

Problema	Verifica
La macchina non si mette in moto	Verificare l'alimentazione generale e del motore. Verificare gli organi di sicurezza (Pulsante arresto d'emergenza sicurezza scivolo, sicurezza coperchio anteriore). Verificare la sicurezza del coperchio di protezione (opzionale nastro d'alimentazione)
Il motore emette un rumore ma non parte	Verificare se manca una fase nel circuito elettrico. Verificare l'alimentazione del motore
I prodotti in uscita dall'allungamento sono strappati e non hanno un aspetto gradevole.	Verificare la tensione del nastro. Verificare l'aspetto e la pulizia dei raschiatori. Verificare l'assenza di resti di pasta sul nastro. Verificare la pulizia del feltro (Opzionale estremità appuntite). Verificare le regolazioni di allungamento e di laminazione.



Se il problema persiste, contattare il proprio tecnico.

11 ELENCO DEI COMPONENTI INDICATI NELLE FIGURE

Figura	Numero	Nome
1	1	Scivolo protetto d'ingresso
	2	Nastro di ingresso
	3	Ripiano di ingresso
	4	Complessivo nastro pesante
	5	Motorizzazione
2	6	Zona di lavoro
3	7	Pulsante di arresto d'emergenza
	8	Regolazione laminazione
	9	Segnalatore laminazione
	10	Pulsante di messa in funzione
	11	Pulsante di arresto
	12	Regolazione dell'allungamento
	13	Segnalatore dell'allungamento
4	14	Coperchio parte anteriore
5	15	Rullo raschiatore regolabile
6	16	Rullo raschiatore fisso
7	17	Interruttore a leva
	18	Interruttore magnetico codificato
8	19	Interruttore magnetico codificato
	20	Coperchio di protezione (opzionale nastro d'alimentazione)
	21	Infarinatore (Opzionale)
9	22	Segnale che indica un rischio di folgorazione
	23	Schema elettrico
15	24	Piedi regolabili (solo su ripiano)

82.....	1	قبل التشغيل
82.....	2	الضمان
83.....	3	تنبيهات.....
84.....	4	المواصفات الفنية.....
84.....	4.1	المواصفات الفنية.....
84.....	4.2	تفاصيل الخامات الملامسة بشكل مباشر للعجين.....
84.....	5	التركيب والتشغيل.....
84.....	5.1	فك تغليف الآلة:.....
85.....	5.2	الموضع:.....
85.....	5.3	التوصيل الكهربى:.....
85.....	5.4	التشغيل:.....
86.....	5.5	خطر:.....
86.....	6	جهاز التحكم والأمان.....
86.....	6.1	جهاز التحكم.....
86.....	6.2	منطقة عمل:.....
86.....	6.3	أجهزة الأمان:.....
87.....	7	الاستخدام.....
87.....	8	الصيانة.....
87.....	8.1	يومية بواسطة مستخدم مُدرّب.....
88.....	8.2	أسبوعية بواسطة مستخدم مُدرّب.....
88.....	8.3	نصف سنوية بمعرفة وكيل معتمد.....
88.....	9	قطع المستهلكات.....
89.....	9.1	قائمة بالمستهلكات.....
89.....	10	الأحداث العارضة أثناء التشغيل.....
90.....	11	قائمة بالمكونات الموجودة في الأشكال.....

1 قبل التشغيل

نشكركم لاختياركم حلول JAC. تأكد من قراءة دليل الاستخدام هذا قبل تركيب وتشغيل هذه الآلة. يمكنك أن تحمي نفسك وتتجنب هكذا أن تتلف الآلة.

يشير هذا الدليل إلى أشكال مختلفة من أجل تسهيل فهم التعليمات. هذه الأشكال موجودة في نهاية هذا الدليل. يُرجى الرجوع إليها ما إن ترى الرموز التالية (شكل كذا، ورقم كذا).

من أجل أن تكون راضياً تماماً عن أداء هذه الآلة خلال السنوات القادمة، ندعوك إلى الاطلاع على النصائح التالية:

- استعن بوكيل معتمد من أجل التركيب والتشغيل والمتابعة.

- من أجل الاستفادة من الضمان ومدته 5 سنوات (انظر الشروط المذكورة بعد)، قم بواسطة الموزع، باستكمال دفتر الصيانة أثناء تركيب الآلة. يوجد دفتر الصيانة خلف الآلة.

2 الضمان

تقدم شركة JAC ضماناً على كل منتجاتها مدته 5 سنوات.



يسري هذا الضمان على كل قطع الآلة، بما فيها القطع الإلكترونية، دون المستهلكات. يسري الضمان من تاريخ تركيب المعدة.

بحسب الشروط المقيدة التالية:

- تم شراء المعدة من موزع معتمد؛
- تم التركيب بمعرفة وكيل معتمد؛
- استخدام المعدة وفقاً لتعليمات دليل الاستخدام وفي الغرض الذي صُنعت من أجله؛
- يتم صيانة المعدة يومياً وفقاً لإرشادات دليل الاستخدام؛
- يتابع الصيانة الوكيل المعتمد وفقاً لشروط الصيانة، مع إجراء الصيانة مرة في العام، على الأقل (الصيانة على حساب المستخدم).
- الاستخدام الحصري لقطع الغيار الأصلية من JAC.

إذا لم توجد صيانة من وكيل معتمد و/أو أن دفتر الصيانة غير مكتمل بشكل صحيح، تقتصر فترة الضمان على عام واحدة.



علماً بأن الضمان لا يشمل:

- استبدال المستهلكات (فقرة 9)؛
- قطع الغيار التي لم يقر قسم الخدمة الفنية بأنها تالفة؛
- المشكلات الناجمة عن الاستخدام غير السليم للمعدة؛
- المشكلات الناجمة عن تركيب لم يتم بمعرفة وكيل معتمد؛
- قطع الغيار أو المشكلات الناجمة عن تلف أثناء النقل أو المناولة غير المناسبة.

ليس من شأن الإصلاح و/أو الاستبدال لقطع الغيار التالفة الذي يتم خلال مدة الضمان أن يمدد هذا الضمان.

من المهم جدًا حفظ دليل الاستخدام هذا مع الجهاز للاطلاع عليه في المستقبل. إذا كان سيتم بيع أو نقل هذا الجهاز إلى شخص آخر، فتأكد أن يتم إعطاء دليل الاستخدام هذا بحيث يستطيع المستخدم معرفة تشغيله والتنبيهات المتعلقة به.



تم إعطاء هذه التنبيهات حرصًا على سلامتك وعلى سلامة الآخرين. الرجاء قراءتها بانتباه قبل تركيب واستخدام الجهاز. تم تصميم هذه الآلة لكي يستخدمها أشخاص بالغون مسموح لهم باستخدامها. يرجى ألا يلمسها الأطفال أو أن يستخدموها كلعبة. هذه الآلة مخصصة حصريًا للاستخدام المهني.

من الخطر تعديل أو محاولة تعديل مواصفات هذه الآلة.

بعد تركيب الآلة، تأكد أنها لا تستند على كابل كهرباء.

اتبع التعليمات المعطاة من أجل الاستخدام.

يجب تخزين واستخدام هذه الآلة داخل مكان بعيد عن الرطوبة والحرارة.

يجب أن يكون هناك إضاءة كافية لهذه الآلة للقيام بالعمل.

مستوى صوت هذه الآلة أقل من 75 ديسيبل وفقًا للمعيار EN ISO 3744.

يجب أن يستخدم هذه الآلة شخص واحد في الوقت الواحد (ما لم يوجد تعليمات مخالفة).



افصل دائمًا التيار الكهربائي قبل القيام بالتنظيف الداخلي/الخارجي للجهاز وقبل عمليات الصيانة.

هذا الجهاز ثقيل الوزن. اتخذ كل احتياطات الأمان أثناء مناولته.

4 المواصفات الفنية

4.1 المواصفات الفنية

HF	
1300 / 50	أقل/أقصى وزن لقطع العجين بالجرام
1800	أقصى المعدل بالقطع قطعة/ساعة
37.	قوة الموتور (كيلو واط)
ثلاثي الأضوار (3 فازه)	نوع الموتور
1145 × 956 × 540	ارتفاع × عرض × عمق
180	الوزن الصافي (كجم)

اختياري	بساط بأطراف مدببة
اختياري	أدلة الإدخال
اختياري	بساط الإخراج TRF20
اختياري	بساط الإخراج TRF30
اختياري	قاعدة قياسية على عجل
اختياري	قاعدة مع تخزين
اختياري	موديول استطالة مُسبقة
اختياري	منفضة دقيق مستقلة
اختياري	بساط تغذية

4.2 تفاصيل الخامات الملامسة بشكل مباشر للعجين.

ميزاب: فولاذ مقاوم للصدأ L304
أسطوانة ترقيق: بولي إيثيلين تيرفتالات غذائي أبيض
شفرة القاشط: Lucoflex
بساط التحريك: شبكة من الصلب المقاوم للصدأ
بساط الفرد والإطالة: صوف / ألياف صناعية
بساط الفرد الثابت: الصوف
بساط إمداد: نسيج صناعي ARCOT.

5 التركيب والتشغيل

5.1 فك تغليف الآلة:

تُباع الآلات، عند خروجها من ورشنا، على ألواح، ومربوطة بأشرطة ومحمية بورق الكرتون. قبل القيام بأي شيء، يجب فحص العبوة وإبلاغ شركة التوصيل مباشرة بأي تلف ناتج عن النقل.

- اسحب كرتونة الآلة.
- انزع الأشرطة مع الانتباه بشكل خاص إلى ارتخاء هذه الأخيرة أثناء قطعها.
- أنزل الآلة عن اللوح.
- ركب الآلة على القوائم (يخص التركيب على منضدة فقط) (fig.15, n°24).



هـ. بالنسبة للتركيب على قاعدة، انزع الأبواب السفلية اليمنى واليسرى من أجل الوصول إلى القوائم، واسحبها واستبدلها بالبراغي المخصصة لهذا الغرض مع القاعدة (fig16)

بعد إخراج الآلة من الكرتون، تحقق أنها لم تتعرض للتلف أثناء النقل. وأبلغنا بأي عطب.

5.2 الموضوع:

للحصول على أداء ممتاز وفعالية على المدى الطويل، اختر موضعاً:

جيد التهوية، وبعيداً عن أشعة الشمس المباشرة وبعيداً عن مصادر الحرارة مع سطح مستو وقوي وخالي من الاهتزازات.

5.3 التوصيل الكهربى:

هام: توصيل الطرف الأرضي إلزامي.

يُنصح بحماية التمديدات الكهربائية بمنصهر وقاطع تيار تفاضلي.

يجب حماية التمديدات الكهربائية التي تُغذي الآلة كما هو مُبين أدناه:

- أمريكا الشمالية: حماية 15 أمبير؛

بقية دول العالم: حماية 16 أمبير.

بالنسبة للآلات المجهزة بمُغَيِّر كهربائي، يجب توصيله على غلبة التفريغ على خط مجهز بقاطع تيار تفاضلي 300 ملي أمبير.

ملحوظة: أي مشكلة ناجمة عن التوصيل بشكل آخر لن يشملها الضمان.

قبل توصيل الآلة على شبكة الكهرباء ومن أجل تجنب وقف تشغيل الموتور عند توصيله بالكهرباء، من المهم التحقق من توافق شبكة الكهرباء مع مواصفات الآلة (انظر لوحة البيانات لهذه الآلة).

يتوافق هذا الجهاز مع التعليمات الخاصة بالآلات 42/2006 و 95/2006 و 108/2004 ويحمل علامة CE التي تشهد بذلك.

يرجى الاطلاع على الصور التوضيحية المتعلقة بالأمان الموجودة على الآلة:

صورة توضيحية تُشير إلى خطر الصعق بالكهرباء. يُرجى فصل الماكينة قبل أي إصلاح لها. يمكنك أن تجده على لوحة التحكم التي تحل محل الصندوق الكهربى. (fig.9, n°23)

سوف تجد الرسم التخطيطي الكهربى للآلة داخل الصندوق الكهربى (fig.9, n°23).



5.4 التشغيل:

قبل التشغيل، تأكد من عدم وجود أي شيء دخيل على الأجزاء المتحركة للآلة.

تأكد أولاً (بعد التحقق من التوافق الكهربى) أن الموتور يدور في الاتجاه الصحيح. للقيام بذلك، أعط دفعة تشغيل وتحقق من أن بُسَاط الصندوق الأمامي يتجه إلى أعلى.

إذا لم يكن الحال كذلك، فافصل الكهرباء على الفور واعكس طرفي الفازة في القابس.

لاستخدام الآلة، راجع فصل "الاستخدام".

5.5 خطر:

في حالة وجود خطر على المستخدم أو على الآلة، يجب عليك أن تستخدم مفتاح القطع العمومي لفصل التيار الكهربائي عن الآلة.
لا تقترب من صواني التآرجح عندما تتحرك.
اسحب القابض من المقبس الكهربائي قبل القيام بأية عملية صيانة أو فحص.
أي عملية صيانة أو استبدال قطعة غيار يجب أن تتم بواسطة وكيل معتمد.

6 جهاز التحكم والأمان

6.1 جهاز التحكم:

الآلة مجهزة على التوالي بلوحة أزرار ميكانيكية (fig. 3).

6.2 منطقة عمل:

توجد منطقة العمل أمام بُساط الإخراج في الآلة (fig.2, n°6).

6.3 أجهزة الأمان:

هذه الآلة مجهزة بأنظمة أمان:
- قاطع تيار بذراع (fig.7, n°17) توقف التشغيل إذا جذبنا الميزان للأمام.
- قاطع تيار مغناطيسي مشفر (fig.7, n°18) يمنع التشغيل إذا كان الحوض الأمامي مفتوحاً.
- زر إيقاف في حالة الطوارئ (fig.3, n°7).
- بالنسبة للإصدارات من الآلات التي بها بُساط تغذية (اختياري)، يوجد قاطع تيار مغناطيسي مشفر (fig.8, n°19) يوقف التشغيل إذا رفعنا غطاء الحماية (fig.8, n°20).

الضبط المسبق:

يعطي الجدول أعلاه بيانات للقيام بالضبط. غير أنه لا بد من أن نضع في الحسبان طبيعة العجين والتشكيل المطلوب. وبالتالي يكون التحسس لازماً ومن الضروري الأخذ في الحسبان العلاقة التي توجد بين كل مرة ضبط. على سبيل المثال، الترفيق غير الكافي أو التطويل الضيق جداً يعطي قطعة عجين سيئة الشكل.

يتم الترفيق باستخدام الترس العلوي (fig.3, n°8) (الدوران في اتجاه عقارب الساعة يشد الأسطوانة).
يتم التطويل باستخدام الترس السفلي (fig.3, n°12) (الدوران في اتجاه عقارب الساعة يشد لوح التطويل).

تطويل	ترفيق	
11.5	19	رغيف طویل 300 جم
15	19	قصير 300 جم
17	18	خبز طویل 400 جم
14	18	رغيف خبز 520 جم
15	16	خبز قصير 800 جم
12	14	خبز طویل 1.8 كجم
8	16	خبز قصير 1.8 كجم
15.5	12	رغيف كايزر طویل 50 جم

تكون نتيجة التشكيل وفقاً للضبط ولكن أيضاً نتيجة:
- قابلية العجين لكي يتم تشكيله (راحة كافية ولكن لا تكون زائدة، "القوة" دون إفراط...).
- الشكل المعتاد لقطعة العجين وهينتها الجيدة.

ملحوظة:

من أجل أن يتم التشكيل والتطويل في ظروف جيدة، من الضروري نثر الدقيق على:
- بساط الصندوق الأمامي.
- بساط التطويل.

- أ. قم بلف زر الإيقاف الفوري (إيقاف الطوارئ) ربع لفة نحو اليمين، إذا لم يكن قد تم تشغيله (fig.10).
- ب. اضغط على الزر التشغيل MARCHE، من أجل توصيل الكهرباء للألة (fig.11).
- ج. أدخل قطع العجين في ميزاب الإدخال المؤمّن (fig.12).
- د. استعد قطع العجين مُشكلة على بساط الاستقبال (fig.13).
- هـ. اضغط على الزر الإيقاف ARRET من أجل إيقاف الآلة (fig.14).

لأسباب تتعلق بسلامة الغذاء، لا يجب بتاتاً إعادة استخدام العجين أو الدقيق الموجود أعلى الآلة أو خارجها ولا إعادة وضعه في السلسلة الغذائية

**8 الصيانة****8.1 يومية بواسطة مستخدم مُدرّب.**

في نهاية العمل، قم بتنظيف الآلة من أجل تجنب تراكم الدقيق مما قد يؤدي إلى التأثير على التشغيل الجيد.
انزع جانب التحريك، وإذا لزم الأمر، قم بتنظيف البساط بالفرشاة (للقيام بهذه العملية، لا تستخدم قاطع عجين معدني).

افتح ضبط التطويل (fig.3, n°12) على آخره من أجل تسهيل تجفيف البُساط عن طريق مرور الهواء. إذا كانت الرطوبة شديدة، فقم بفك كل بُساط التمديد.

8.2 أسبوعية بواسطة مستخدم مُدرّب.

اسحب ونظف كاشطات أسطوانات الترقيق بالطريقة التالية:
(تتم العملية والآلة مفصولة عن التيار الكهربائي)

- أ. افتح غطاء الواجهة واسحبه باستخدام القفلين (fig.4, n°14).
- ب. باعد بين أسطوانات الترقيق لأقصى حد باستخدام ذراع الضبط (fig.3, n°8).
- ج. اسحب كاشط الترقيق الثابت للأمام (fig.5, n°15) (إذا لزم الأمر، ففك النابضين الأيمن والأيسر).
- د. قم بتنظيف الشفرة (تحقق من عدم وجود بقايا عجين).
- هـ. أعد تركيب الكاشط بأن تضع كل طرف في الحوامل مع الحرص على تثبيت كل نابض في تجويف المصد الخاص به.
- و. اسحب كاشط الترقيق القابل للضبط نحو الأمام (fig.6, n°16) (إذا لزم الأمر، ففك النابضين الأيمن والأيسر).
- ز. قم بتنظيف الشفرة (تحقق من عدم وجود بقايا عجين).
- ح. أعد تركيب الكاشط بأن تضع كل طرف في الحوامل مع الحرص على تثبيت كل نابض في تجويف المصد الخاص به.

8.3 نصف سنوية بمعرفة وكيل معتمد.

أثناء تشغيل الآلة، تأكد أنه لا توجد ضوضاء غير طبيعية تصدر منها. تأكد في نفس الوقت من التمرکز الجيد وكذلك الشد الجيد للبُساط. إن كان هناك داعٍ، فقم بعمليات الضبط اللازمة.

لا بد أن تكون الآلة متوقفة.

تحقق من حالة الجنزير وأنه مشدود (قم بالتشحيم إن لزم الأمر).

تحقق من العمل الجيد لتروس ضبط الترقيق والتطويل.
قم بالتشحيم إذا لزم الأمر.
تحقق من المحاذاة السليمة للبرغي وحوامله.

تحقق من الحالة الجيدة للبُساط (بمجرد اللمس، من السهل تحديد عندما يصبح السمك قليلاً).

تحقق من الحالة الجيدة لبُساط التطويل.

9 قُطع المستهلكات

أثناء طلب قطعة غيار، تأكد مع الوكيل المعتمد بشأن القطعة المطلوبة على أساس كتالوج قطع الغيار الذي أصدره الصانع. حدد دائماً رقم الآلة كما هو مبين على لوحة البيانات.
ويقوم الوكيل بعمل الطلبات لدى شركة JAC.

9.1 قائمة بالمستهلكات

رمز الصنف	التوصيف الجدي	النموذج
F4505003	WOOLTOP BOX BELT	ALL
F4505003L	WOOL BOX BELT	ALL
F5440095	ELONGATION BELT	ALL
F5408011	CHAIN MESH BELT	ALL
F5442003	SCRAPER BLADE	ALL
F5442007	RH SCRAPER SPRING	ALL
F5442008	LH SCRAPER SPRING	ALL
F54700001	FEED BELT	ALL
F5412009L	PRE-ELONGATION BELT	ALL

10 الأحداث العارضة أثناء التشغيل

المشكلة	التحقق
الآلة لا تعمل	تحقق من التغذية بالتيار الكهربائي بشكل عام وتغذية الموتور. تحقق من أجهزة الأمان (زر الإيقاف في حالة الطوارئ، وأمان الميزاب، وأمان غطاء اللوحة). تحقق من أمان غطاء الحماية (خيار بساط التغذية).
الموتور يصدر صوت لكن لا يعمل	تحقق أنه لا يوجد فائز ناقصة في الدائرة الكهربائية. تحقق من تغذية الموتور.
المنتجات عند خروجها من التطويل تكون ممزقة وليس لها شكل جميل.	تحقق من شد البساط. تحقق من شكل ونظافة الكاشطات. تحقق من عدم وجود قشرة عجبن على البساط. تحقق من نظافة اللباد (خيار الأطراف المدببة). تحقق من ضبط التطويل والترقيق.

انتبه: قبل القيام بأية إصلاحات، يجب فصل التيار عن الآلة.

إذا استمرت المشكلة بعد ذلك، فيرجى الاتصال بالفني.



11 قائمة بالمكونات الموجودة في الأشكال

شکل	الرقم	الاسم
1	1	ميزاب إدخال مؤمن
	2	بُساط استقبال
	3	لوح استقبال
	4	أجزاء البُساط الثقيل
	5	موتور
2	6	منطقة عمل
	7	زر الإيقاف في حالة الطوارئ
3	8	ضبط الترقيق
	9	لمبة بيان الترقيق
	10	زر التشغيل
	11	زر الإيقاف
	12	ضبط التطويل
	13	لمبة بيان التطويل
	14	غطاء الواجبة
4	4	غطاء الواجبة
5	15	قشاط الأسطوانة القابل للضبط
6	16	قشاط الأسطوانة الثابت
7	17	مفتاح قطع بذراع
	18	قاطع تيار مغناطيسي مُشفر
	19	قاطع تيار مغناطيسي مُشفر
8	20	غطاء حماية (خيار بساط التغذية)
	21	منفضة دقيق (اختياري)
9	22	صورة توضيحية تُشير إلى خطر الصعق بالكهرباء.
	23	رسم تخطيطي كهربائي
	24	قوائم قابلة للضبط (فقط على المنضدة)
15	15	قوائم قابلة للضبط (فقط على المنضدة)

fig.1

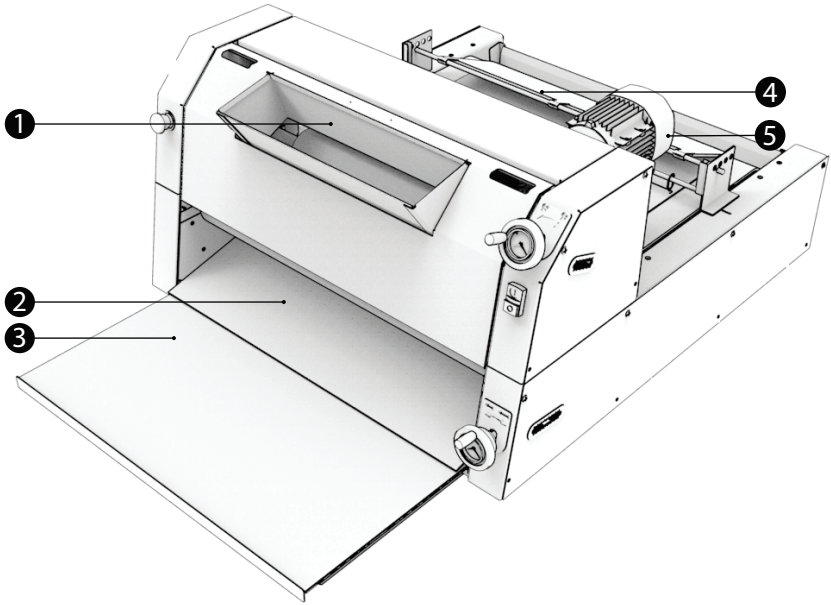


fig.2

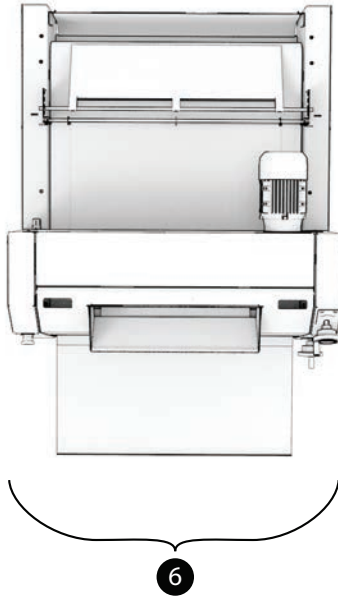


fig.3

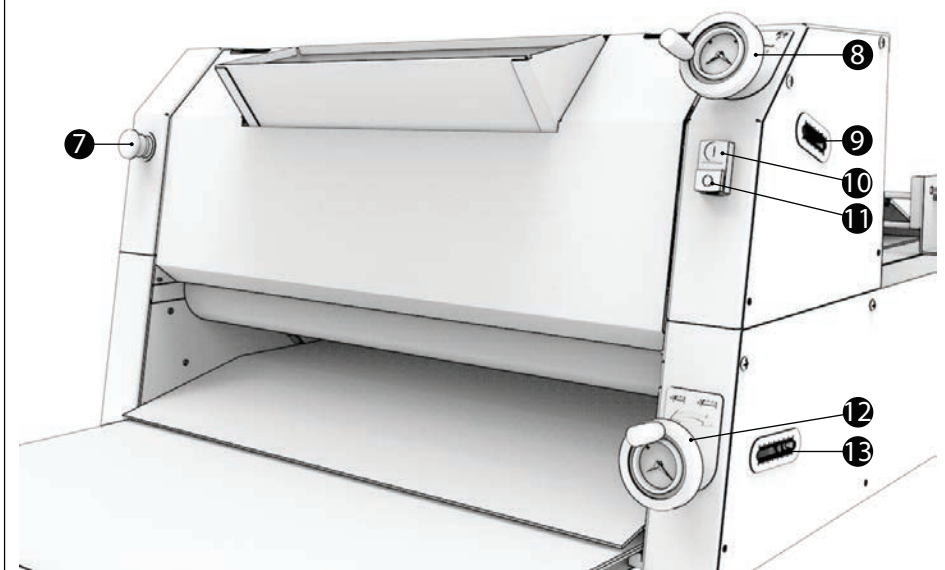


fig.4

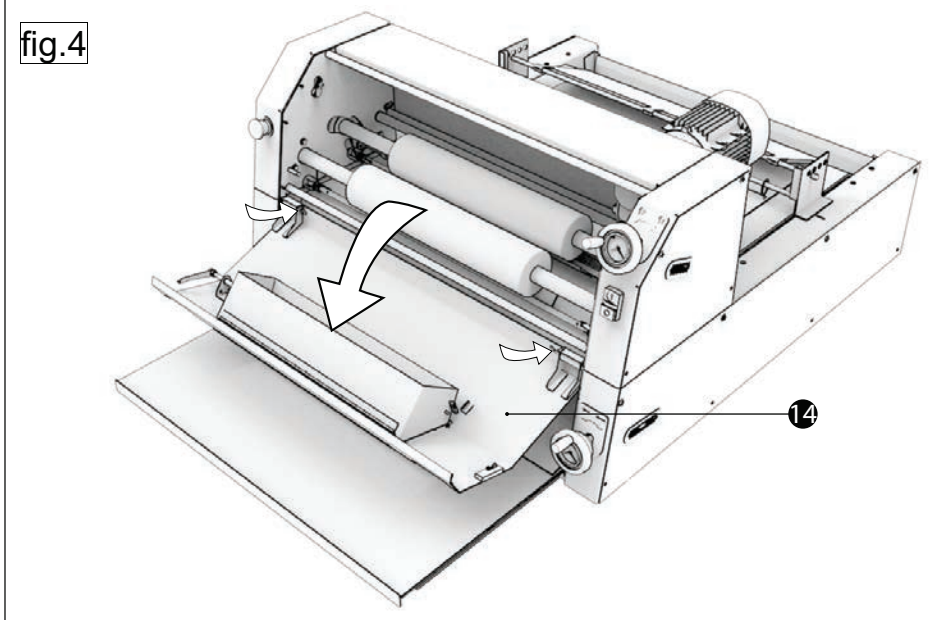
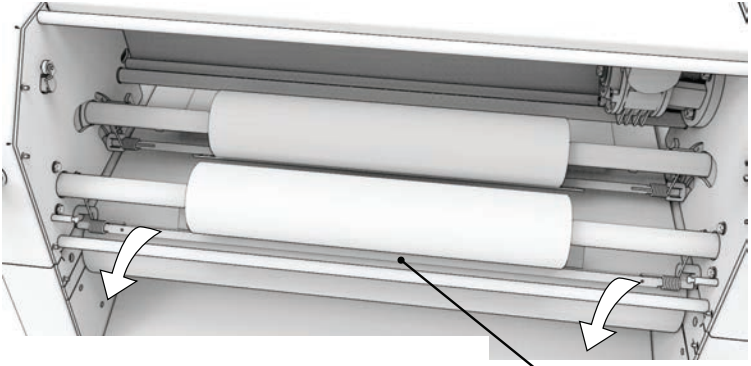


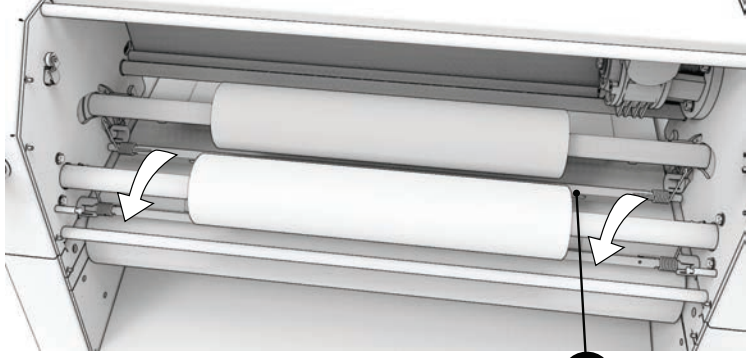
fig.5



15



fig.6



16



fig.7

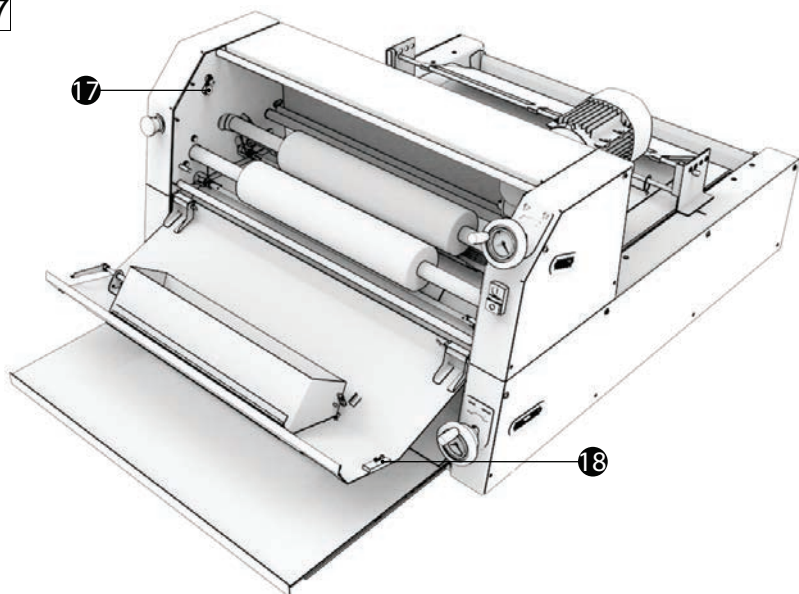


fig.8

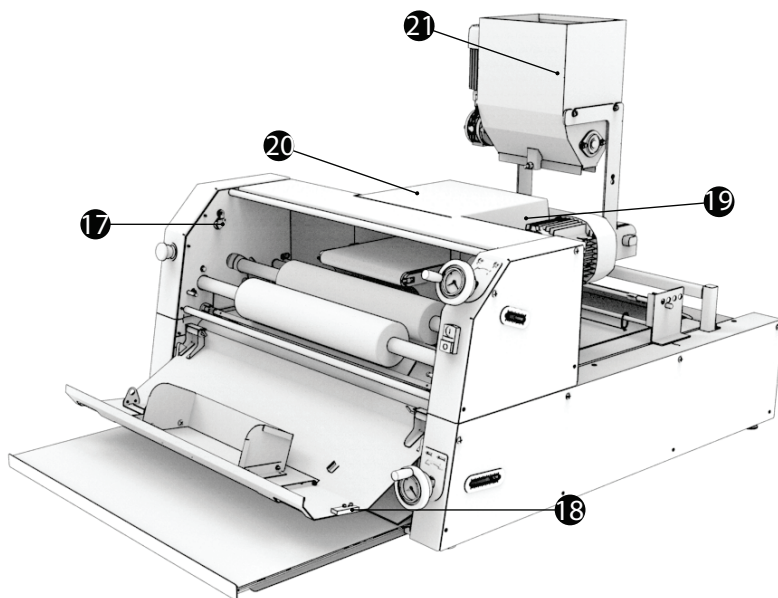


fig.9

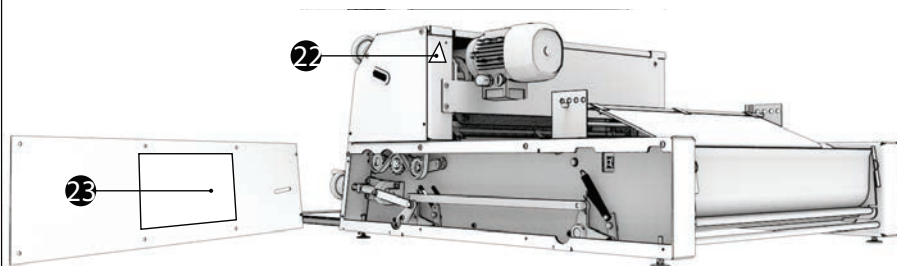


fig.10

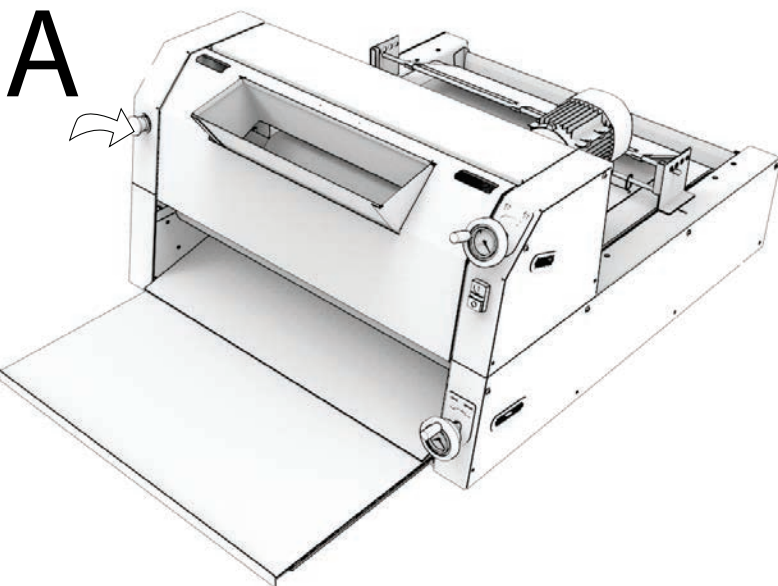


fig.11

B

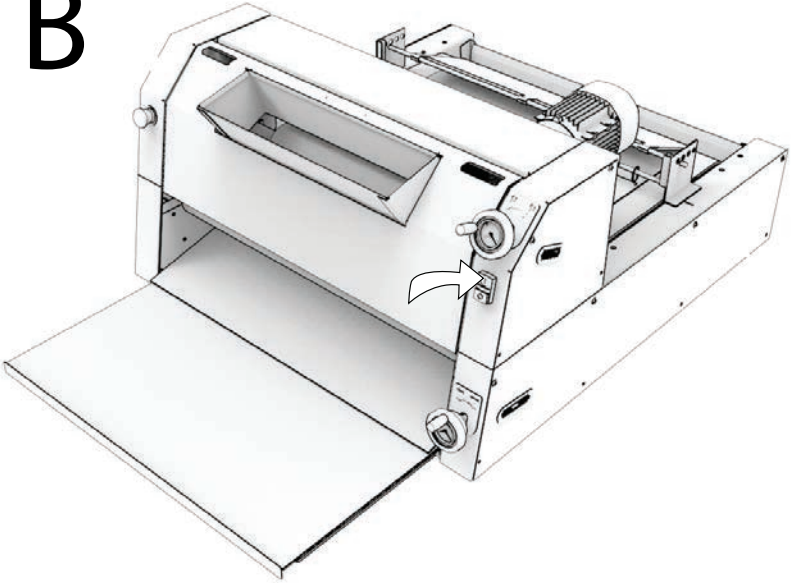


fig.12

C

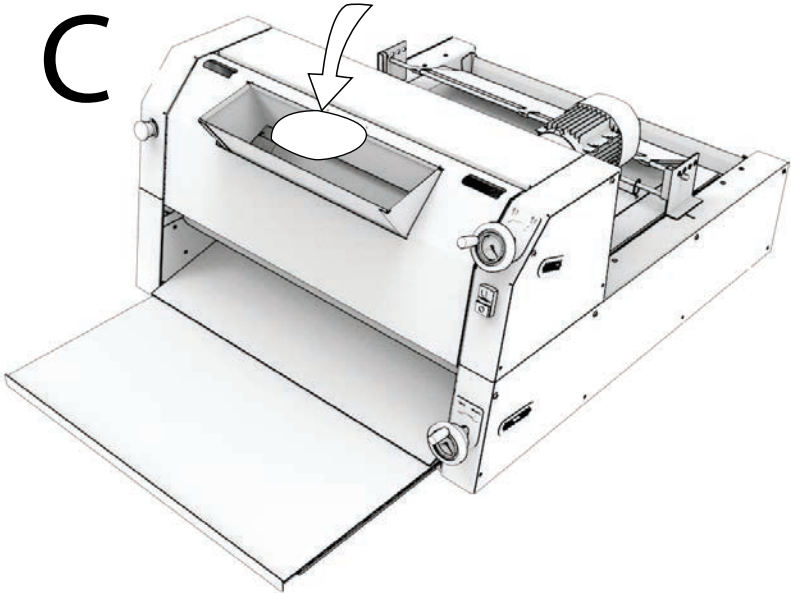


fig.13

D

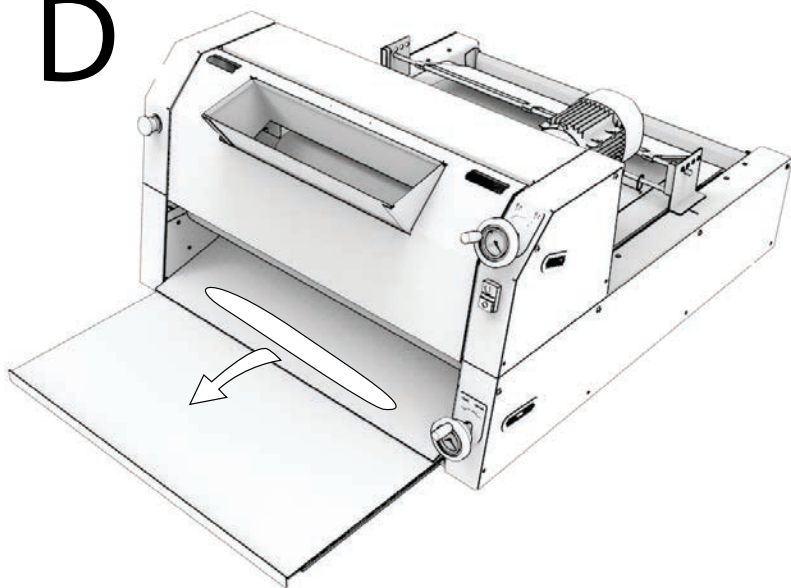


fig.14

E

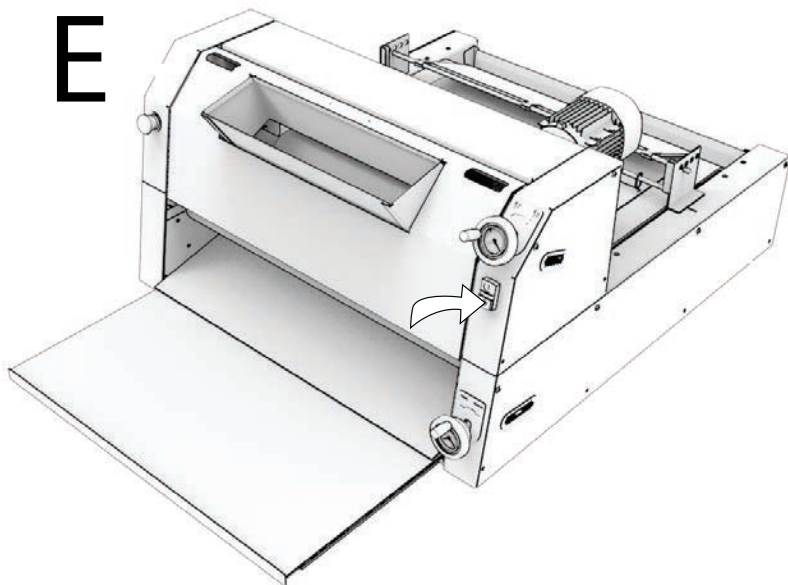


fig.15

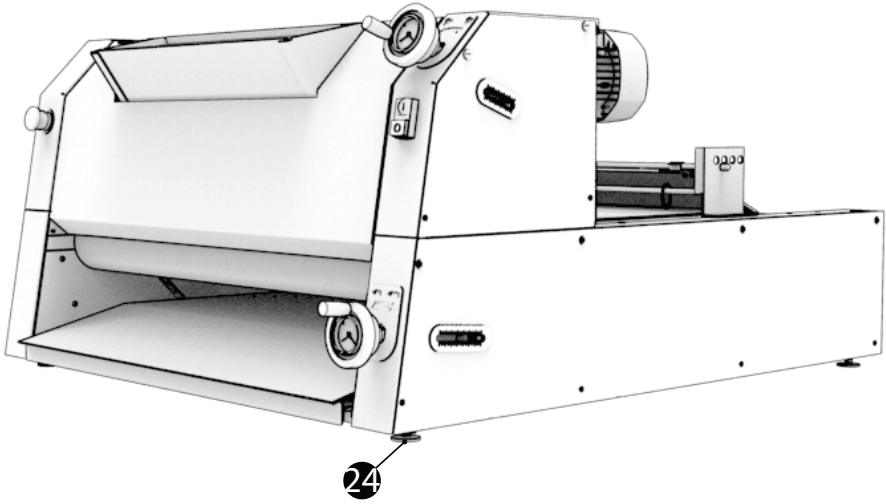
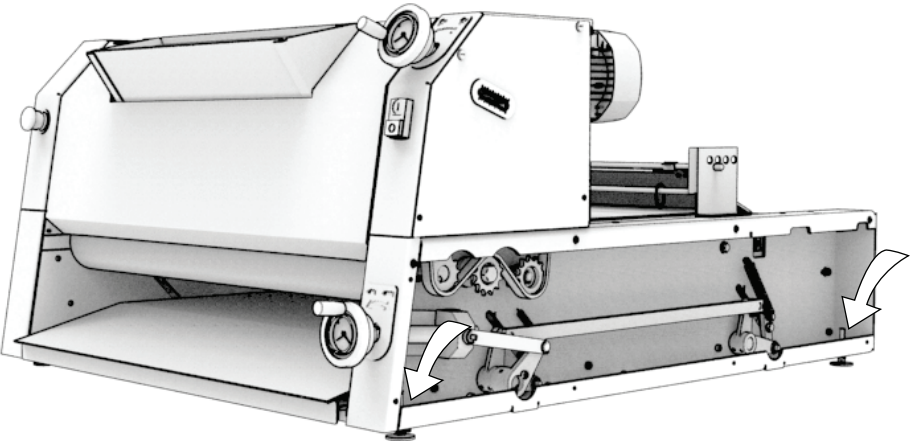


fig.16





Traditionally Innovative

CONFORMITY CERTIFICATE TO THE EUROPEAN DIRECTIVES.
CERTIFICAT DE CONFORMITE AUX DIRECTIVES EUROPEENNES.
KONFORMITÄTSZEUGNIS AN DIE EUROPÄISCHEN RICHTLINIEN.
GETUIGSCHRIFT VAN OVEREENSTEMMING MET DE EUROPESE RICHTLIJNEN.
CERTIFICATO DI CONFORMITÀ ALLE DIRETTIVE EUROPEE.
CERTIFICADO DE CONFORMIDAD CON LAS DIRECTIVAS EUROPEAS.
СЕРТИФИКАТ СООТВЕТСТВИЯ ЕВРОПЕЙСИМ ДИРЕКТИВАМ.
شهادة المطابقة مع التعليمات الأوروبية.



- EN** The undersigned certifies that the machine complies with the European Directives 2006/42, 2006/95, 2004/108.
- FR** Le soussigné déclare que cette machine est conforme aux directives européennes 2006/42, 2006/95, 2004/108.
- DE** Unterzeichneter erklärt, daß diese Maschine den Europäischen Richtlinien 2006/42 2006/95, 2004/108.
- NL** Ik ondertekende verklaar dat deze machine in overeenstemming met de Europese richtlijnen 2006/42, 2006/95, 2004/108.
- IT** li sottoscritto dichiara questa macchina conforme alle ultime versioni delle seguenti direttive europee 2006/42, 2006/95, 2004/108.
- ES** El infrascrito declara que esta máquina es conforme con las directivas europeas 2006/42, 2006/95, 2004/108.
- RU** Нижеподписавшееся лицо заявляет, что данное устройство соответствует европейским директивам 2006/42, 2006/95, 2004/108.
- AR** يقر الموقع أدناه أن هذه الآلة متطابقة مع التعليمات الأوروبية أرقام 2006/42 و 2006/95 و 2004/108.

Last update: 01/2017
Technical files compiled by:
Pierre-Yves DORSIMONT
Verte voie, 49- 51
B-4000 Sclessin
BELGIUM

Complies with the following (parts of)
European Harmonised Standards:
EN 1672-2
EN 1935
EN 60204-1
EN 12100-1
EN 12100-2 §5, §6
EN 13954 if applicable
EN 61000-3-2, -3-3, -6-1, -6-3

B. Van Cauwenberghe
General Manager
JAC s.a.